

MIGUA®

MIGUA

EXPANSION JOINT SYSTEMS

FOR FLOORS
WALLS AND
CEILINGS



1
2008



EXPANSION JOINT SYSTEMS

be regarded as a high standard since more than 50 years of service and are well known for their fully developed designs.

Over 10 million metres of profiles have been performing to complete satisfaction of Architects, Builders and Owners through out decades of use.

This is our assurance of high quality standard and lasting peace in mind.

Our dedicated and innovative engineering department ensures that you will get exactly the expansion joint system you need, independent if a profile from our standard program or a special construction is required.

Several certificates about e.g. load capacity, duration or skid resistance of well known, independent institutes in Germany and foreign countries confirm our commitment.

Our experience, our advanced engineering department and our passion are your guarantee for expansion joint systems on the highest possible standard.



Our advice as to applications and other recommendations are based on comprehensive research work and years of experience. They are, however without liability (also in respect of third parties) and do not relieve our customers of the responsibility to check the suitability of our products and processes for their intended purposes.

We reserve the right to make technical changes without prior notice.

INDEX

CATALOGUE NO 1

MIGUA

SUBJECT	DESCRIPTION	PAGE
MIGUA EXPANSION JOINT SYSTEMS	FOR FLOORS	2–39
Series FL 21/..., FV 35/..., FV 41/...	Small visible surface, movement capacity up to 14 mm, Joint width up to 35 mm	2–7
Series ES 20/...	Solid stainless steel, movement capacity up to 5 mm, Joint width up to 20 mm	8–9
Series ES 33/..., ES 39/...	Solid stainless steel, movement capacity up to 14 mm, Joint width up to 35 mm	10–11
Series ES 60/...	Solid stainless steel, movement capacity up to 16 mm, Joint width up to 50 mm	12–14
Series FP 55/..., FP 55/... 4S, FPG 55/... FP 55/...MS/NI	Movement capacity up to 22 mm, Joint width up to 58 mm	15–18
Series FP 60/..., FP 60/...MS/NI, FP 70/..., FP 70/...NI, FP 100/...NI, FPO 116/...	For heavy duty floors, joint width up to 105 mm, movement capacity up to 30 mm, with brass or stainless steel cappings	19–24
Series FP 135/...	For large movements up to 34 mm, Joint width up to 120 mm	25
Series ESF 8/...ES, ESF 9/...ZK, ESF 22/...NI	Contraction Joint Systems Joint width from 5 to 12 mm	26–27
Series FN 20/12 to FN 90/20, FN 110/30, FSN 50/15	Surface fixing Joint width from 20 to 90 mm	28–33
Series FS 99/..., FS 146/...	All-metal profile for joint width up to 114 mm Movement capacity up to 50 mm	34–35
FLOOR/WALL-CONNECTIONS	Corner-Versions E 1, E 3, E 4	36–37
INSTALLATION INSTRUCTIONS	For contraction joints, for floating floor finishes for sheets, tiles and composite screed	38–39
TRANSITIONS	Transitions Examples	32
MIGUA EXPANSION JOINT SYSTEMS	FOR WALLS AND CEILINGS	40–52
Series D 12/..., D 15/..., D 20/...	Under plaster Joint width up to 350 mm	40–41
Series FA 25/..., FA 12/...	Surface fixing Joint width up to 350 mm	42–44
INSTALLATION INSTRUCTIONS	SERIES D.../..., FA 25/..., FA 12/...	45
Series WP 255/22	All-Metal profile for walls and ceilings Joint width up to 110 mm	46
Series KF 55/..., KF 250/...	Klemmfix-profiles with special steel spring clip Joint width from 15 to 80 mm	47–49
Series DF 35/12, DF 50/12	Sandwich type plasterboard Joint width up to 50 mm	50
Series FB 20/...	Precast construction and fair faced in-situ concrete Joint width from 10 to 45 mm	51
SPECIAL PROFILES	Special profiles outside the standard program	52

Our Catalogue No. 2: **MIGUTRANS**-Expansion Joint Systems – informs you on all-metal systems to be used by fork lift trucks and pallet trucks.

Our Catalogue No. 3: **MIGUTAN**-Expansion Joint Systems – informs you on watertight systems for car parks, ramps, garages, pedestrian bridges, canteen kitchens and swimming-pool-areas.

Our Catalogue No. 5: **MIGUNOX**-Expansion Joint Systems – informs you on solid stainless steel constructions, watertight, even surface for heavy duty use.

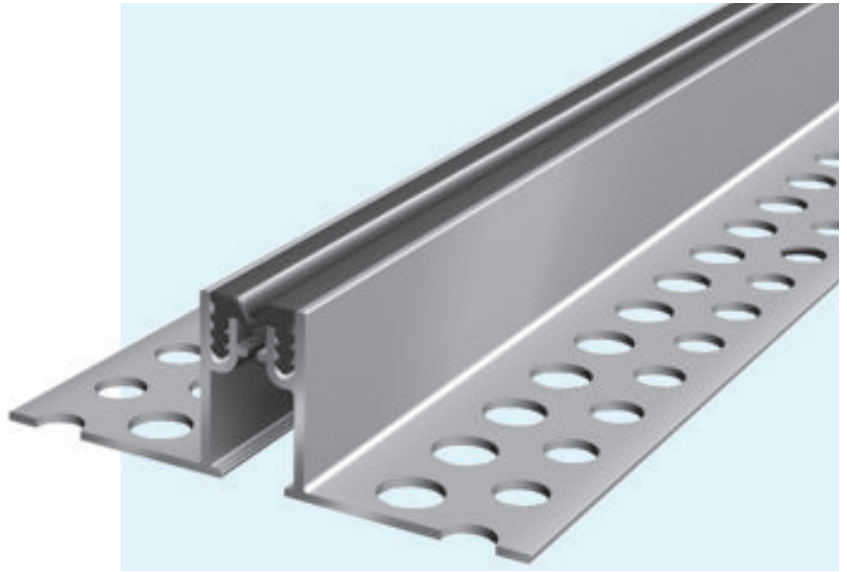
Please order on request.

SERIES FL 21/..., FLK 21/..., FLT 21/..., FLG 21/...

FOR FLOORS WITH DIFFERENT TYPES OF COVERINGS

MIGUA

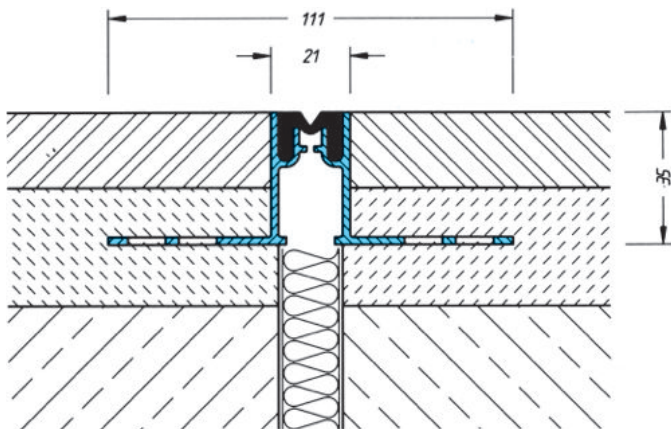
- INSERT REPLACEABLE AT ANY TIME
- SECURE FIXING BY PERFORATED MOUNTING BRACKETS
- PROFILE ABSORBS SETTLEMENTS
- MOVEMENT CAPACITY 5 MM
- FOR JOINT WIDTHS UP TO 20 MM



TECHNICAL DATA

Profile	Joint width max. mm	Total movement mm	Visible width of profile mm	Total width of profile mm	Installation height mm	*Load capacity private cars + lorries (DIN 1072) kN	Load capacity fork lift trucks (DIN 1055) kN
FL 21/2000	20	5 +3/-2	21	107	20	30	not allowed
FL 21/3500	20	5 +3/-2	21	111	35	30	not allowed
FL 21/5000	20	5 +3/-2	21	111	50	30	not allowed
FLK21/2000	20	5 +3/-2	21	107	20	30	not allowed
FLK21/3500	20	5 +3/-2	21	111	35	30	not allowed
FLK21/5000	20	5 +3/-2	21	111	50	30	not allowed
FLT 21/2000	20	5 +3/-2	21	107	20	30	not allowed
FLT 21/3500	20	5 +3/-2	21	111	35	30	not allowed
FLT 21/5000	20	5 +3/-2	21	111	50	30	not allowed
FLG21/2000	20	2 +1/-1	21	107	20	30	not allowed
FLG21/3500	20	2 +1/-1	21	111	35	30	not allowed
FLG21/5000	20	2 +1/-1	21	111	50	30	not allowed

*not designed for permanent use



FL 21/3500

Scale 1 : 2

MATERIAL

Aluminium side plates with perforated aluminium mounting brackets. Flexible high quality elastomeric insert, long wearing, weather resistant, temperature resistant (-30°C to + 120°C), extensively resistant to oils, acids and bitumen.

Production length: 4 m

Corner versions E3 and E4: page 36–37

Installation instructions: page 38–39

SERIES FL 21/...

for joints in sheet or tile covered floors

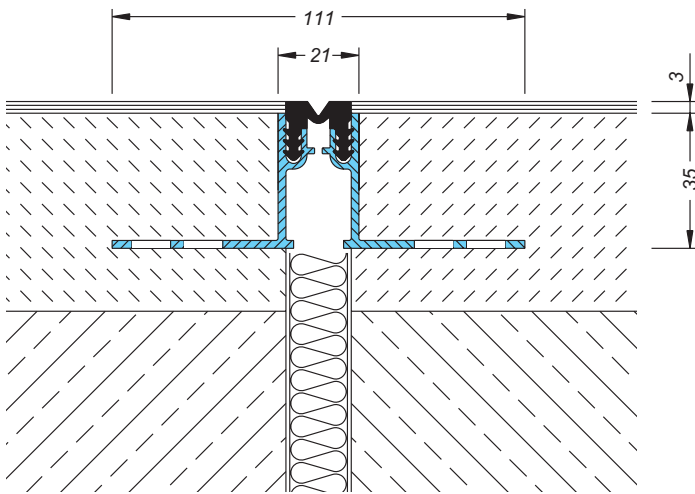
Standard colours : black, grey

MIGUA

SERIES FL 21/..., FLK 21/..., FLT 21/..., FLG 21/...

FOR FLOORS WITH DIFFERENT TYPES OF COVERINGS

MIGUA

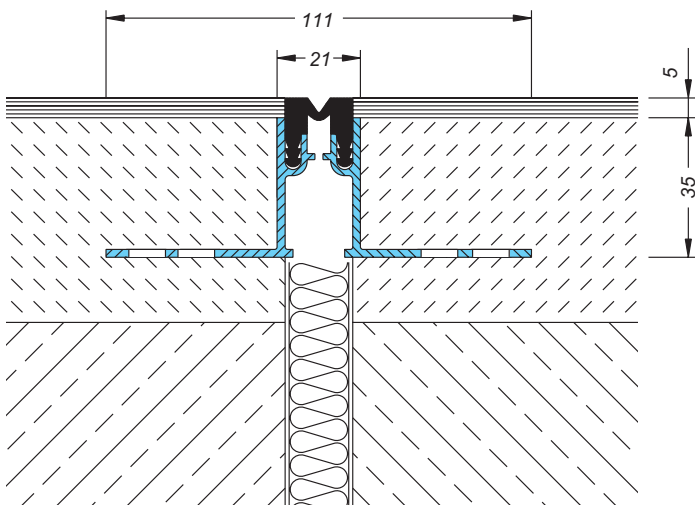


FLK 21/3500

SERIES FLK 21/... for joints in floors with PVC covering

Flexible insert made of modified PVC
can be welded to PVC coverings for waterproofness.
Upstand: 3 mm

Standard colour: grey

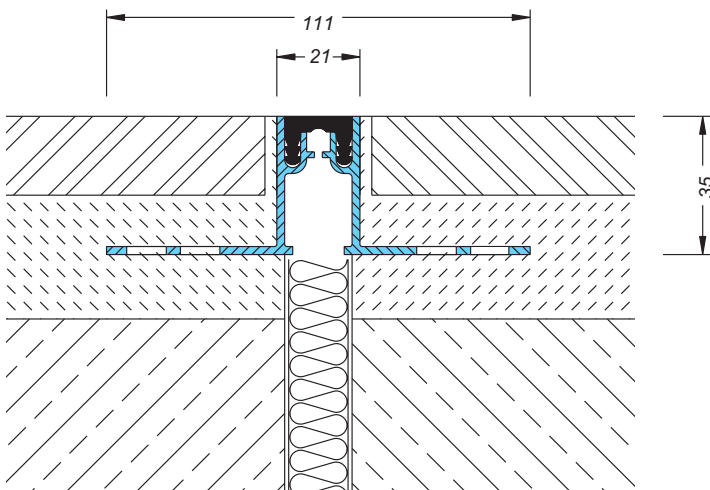


FLT 21/3500

SERIES FLT 21/... for joints in floors with carpet

Flexible high quality elastomeric insert, long wearing,
weather resistant, temperature resistant (-30°C to
+ 120°C), extensively resistant to oils, acids and bitumen.
Upstand: 5 mm

Standard colour: black, grey



FLG 21/3500

Scale 1 : 2

SERIES FLG 21/... for joints with hygienic requirements

Flexible high quality elastomeric insert, long wearing,
weather resistant, temperature resistant (-30°C to
+ 120°C), extensively resistant to oils, acids and bitumen.

Standard colour: grey

Profiles of series FLK 21/... and FLT 21/... are supplied with flush mounted distance insert of profile FL 21/....
The top edge of the aluminium profile can be used as a screeding guide. The distance insert protects the profile until covering is laid.
This method avoids damage of profile caused by site traffic.

For installation in asphalt, please ask for our technical advice.

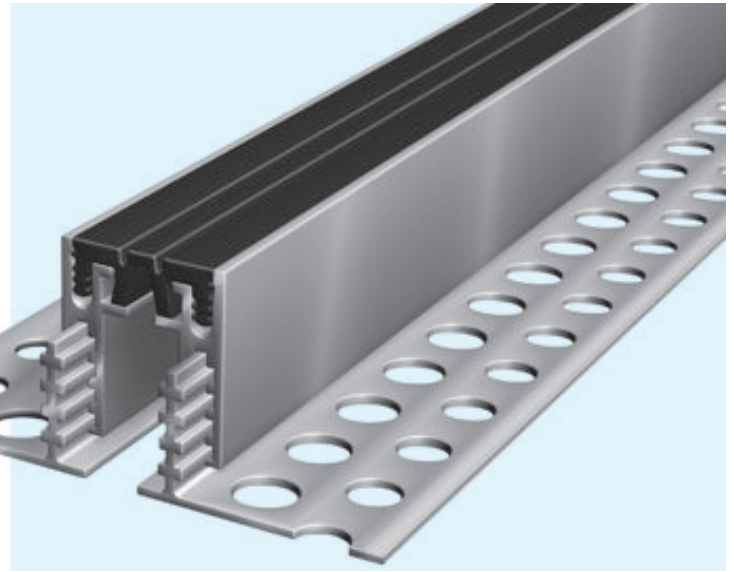
MIGUA

SERIES FV 35/..., FV 41/...

FOR WALLS AND FLOORS

MIGUA

- INSERT REPLACEABLE AT ANY TIME
- POSITIVE CONNECTION OF PRODUCTION LENGTHS BY STAGGERING THE JOINTS
- ADJUSTABLE INSTALLATION HEIGHTS
- MOVEMENT CAPACITY 14 MM
- FOR JOINT WIDTHS UP TO 35 MM



TECHNICAL DATA

Profile	Joint width max. mm	Total movement mm	Visible width of profile mm	Total width of profile mm	Installation height mm	* Load capacity private cars + lorries (DIN 1072) kN	Load capacity fork lift trucks (DIN 1055) kN
FV 35/1500	30	10 +/-5	35	108	15	30	not allowed
FV 35/2000	30	10 +/-5	35	108	20	30	not allowed
FV 35/2500	30	10 +/-5	35	108	25	30	not allowed
FV 35/3500	30	10 +/-5	35	125	35	30	not allowed
FV 35/5000	30	10 +/-5	35	125	50	30	not allowed
FV 35/4055	30	10 +/-5	35	108	40, 45, 50, 55	30	not allowed
FV 35/6075	30	10 +/-5	35	108	60, 65, 70, 75	30	not allowed
FV 35/7590	30	10 +/-5	35	108	75, 80, 85, 90	30	not allowed
FV 35/90105	30	10 +/-5	35	108	90, 95, 100, 105	30	not allowed

*not designed for permanent use

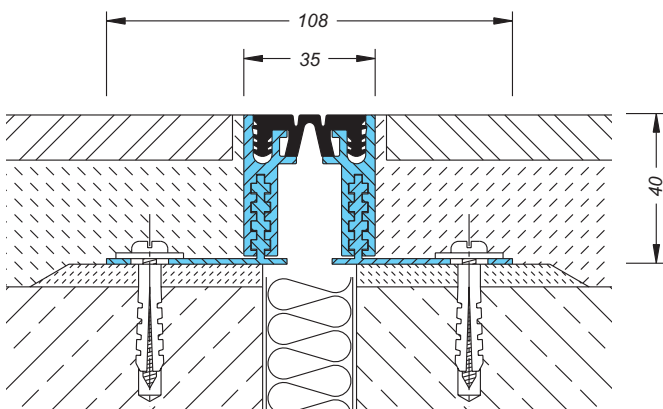
MATERIAL

Aluminium side plates with perforated aluminium mounting brackets. Flexible high quality elastomeric insert, long wearing, weather resistant, temperature resistant (-30°C to + 120°C), extensively resistant to oils, acids and bitumen. Production length: 4 m, Standard colours: black, grey, brown, light beige, Corner versions: page 36–37, Installation instructions: page 38–39.

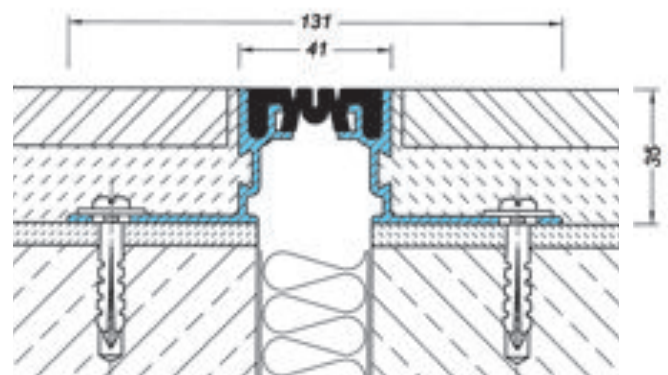
For installation in asphalt, please ask for our technical advice.

Also available with special insert as **FV41/...**

Standard colours: black, grey, light beige, total movement 14 mm +/-7 mm



FV 35/4055



FV 41/3500

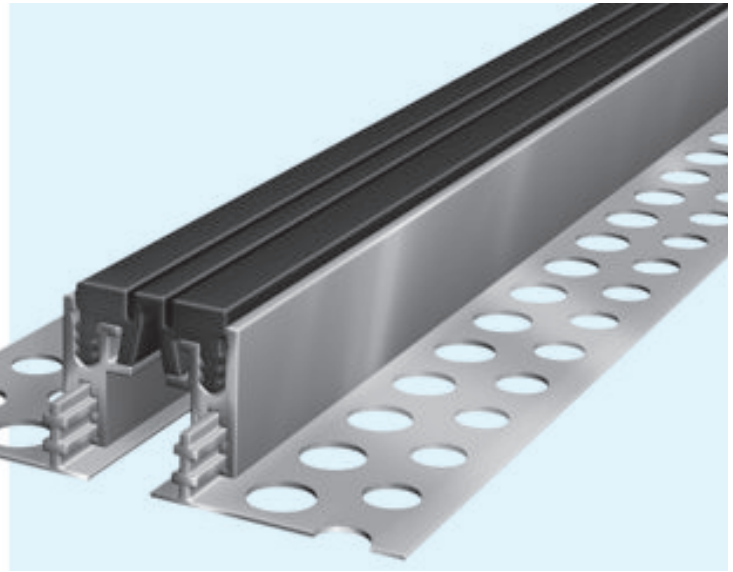
Scale 1 : 2

MIGUA

SERIES FK 35/...
FOR FLOORS WITH PVC COVERINGS

MIGUA

- **INSERT REPLACEABLE AT ANY TIME**
- **POSITIVE CONNECTION OF PRODUCTION LENGTHS BY STAGGERING THE JOINTS**
- **ADJUSTABLE INSTALLATION HEIGHTS**
- **MOVEMENT CAPACITY 10 MM**
- **FOR JOINT WIDTHS UP TO 30 MM**

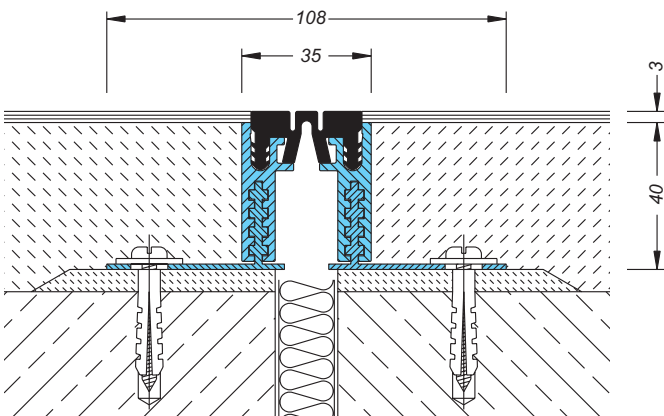


TECHNICAL DATA

Profile	Joint width max. mm	Total movement mm	Visible width of profile mm	Total width of profile mm	Installation height mm	*Load capacity private cars + lorries (DIN 1072) kN	Load capacity fork lift trucks (DIN 1055) kN
FK 35/1500	30	10 +/-5	35	108	15	30	not allowed
FK 35/2000	30	10 +/-5	35	108	20	30	not allowed
FK 35/2500	30	10 +/-5	35	108	25	30	not allowed
FK 35/3500	30	10 +/-5	35	125	35	30	not allowed
FK 35/5000	30	10 +/-5	35	125	50	30	not allowed
FK 35/4055	30	10 +/-5	35	108	40, 45, 50, 55	30	not allowed
FK 35/6075	30	10 +/-5	35	108	60, 65, 70, 75	30	not allowed
FK 35/7590	30	10 +/-5	35	108	75, 80, 85, 90	30	not allowed
FK 35/90105	30	10 +/-5	35	108	90, 95, 100, 105	30	not allowed

*not designed for permanent use

Profile is supplied with flush mounted distance insert. The top edge of the aluminium profile can be used as a screeding guide. The distance insert protects the profile until covering is laid. This method avoids damage of profile caused by site traffic.



FK 35/4055

Scale 1 : 2

MATERIAL

Aluminium side plates with perforated aluminium mounting brackets. Flexible insert made of modified PVC, can be welded to PVC coverings for waterproofness

Upstand: 3 mm

Production length: 4 m

Standard colours: black, grey, brown, beige

Corner versions: page 36–37

Installation instructions: page 38–39

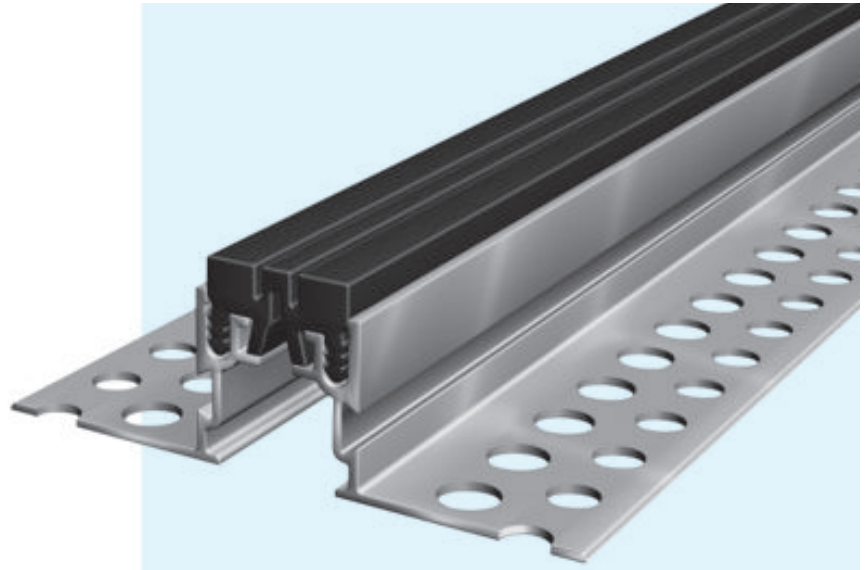
For installation in asphalt, please ask for our technical advice.

SERIES FT 35/...

FOR FLOORS WITH CARPETS

MIGUA

- INSERT REPLACEABLE AT ANY TIME
- POSITIVE CONNECTION OF PRODUCTION LENGTHS BY STAGGERING THE JOINTS
- ADJUSTABLE INSTALLATION HEIGHTS
- MOVEMENT CAPACITY 10 MM
- FOR JOINT WIDTHS UP TO 30 MM

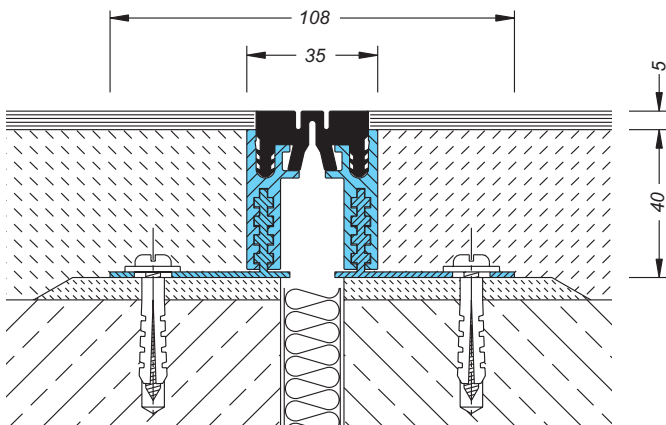


TECHNICAL DATA

Profile	Joint width max. mm	Total movement mm	Visible width of profile mm	Total width of profile mm	Installation height mm	*Load capacity private cars + lorries (DIN 1072) kN	Load capacity fork lift trucks (DIN 1055) kN
FT 35/1500	30	10 +/-5	35	108	15	30	not allowed
FT 35/2000	30	10 +/-5	35	108	20	30	not allowed
FT 35/2500	30	10 +/-5	35	108	25	30	not allowed
FT 35/3500	30	10 +/-5	35	125	35	30	not allowed
FT 35/5000	30	10 +/-5	35	125	50	30	not allowed
FT 35/4055	30	10 +/-5	35	108	40, 45, 50, 55	30	not allowed
FT 35/6075	30	10 +/-5	35	108	60, 65, 70, 75	30	not allowed
FT 35/7590	30	10 +/-5	35	108	75, 80, 85, 90	30	not allowed
FT 35/90105	30	10 +/-5	35	108	90, 95, 100, 105	30	not allowed

*not designed for permanent use

Profile is supplied with flush mounted distance insert. The top edge of the aluminium profile can be used as a screeding guide. The distance insert protects the profile until covering is laid. This method avoids damage of profile caused by site traffic.



FT 35/4055

Scale 1 : 2

MATERIAL

Aluminium side plates with perforated aluminium mounting brackets. Flexible high quality elastomeric insert, long wearing, weather resistant, temperature resistant (-30°C to + 120°C), extensively resistant to oils, acids and bitumen.

Upstand: 5 mm

Production length: 4 m

Standard colours: black, grey, beige

Corner versions: page 36–37

Installation instructions: page 38–39

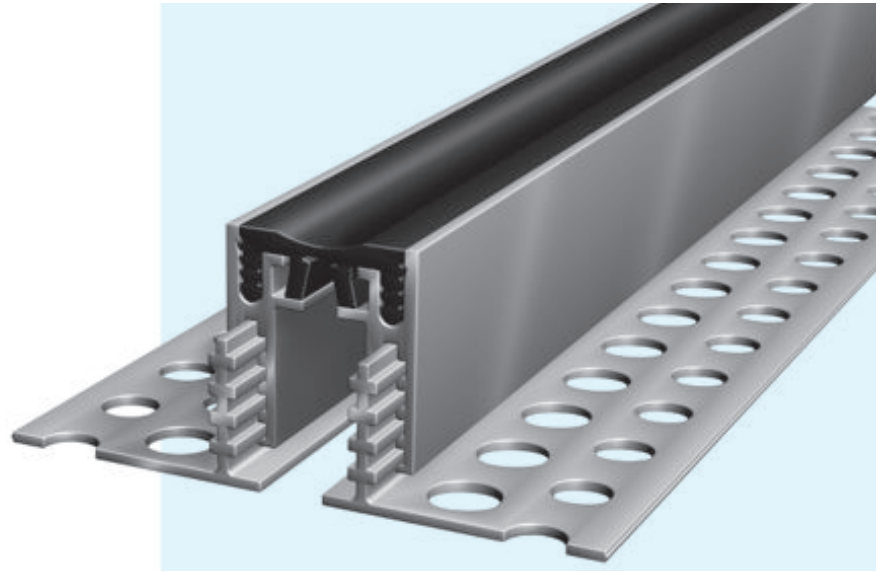
For installation in asphalt, please ask for our technical advice.

SERIES FG 35/..., FG 41/...

FOR WALLS AND FLOORS WITH HYGIENIC REQUIREMENTS

MIGUA

- INSERT REPLACEABLE AT ANY TIME
- POSITIVE CONNECTION OF PRODUCTION LENGTHS BY STAGGERING THE JOINTS
- ADJUSTABLE INSTALLATION HEIGHTS
- SMOOTH VISIBLE SURFACE
- FOR JOINT WIDTHS UP TO 35 MM
- ANTIBACTERIAL AND PHYSIOLOGICALLY SAFE

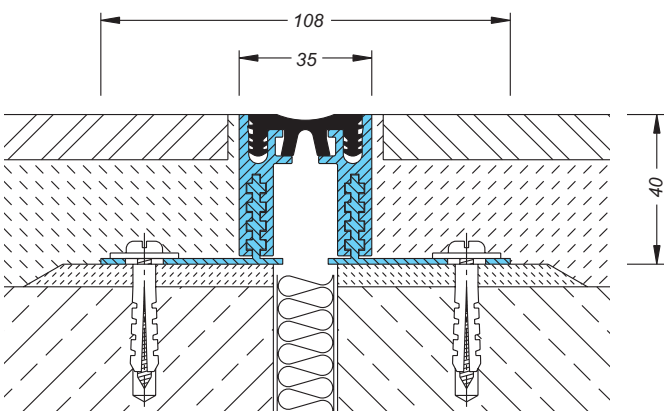


TECHNICAL DATA

Profile	Joint width max. mm	Total movement mm	Visible width of profile mm	Total width of profile mm	Installation height mm	*Load capacity private cars + lorries (DIN 1072) kN	Load capacity fork lift trucks (DIN 1055) kN
FG 35/1500	30	6 +/-3	35	108	15	30	not allowed
FG 35/2000	30	6 +/-3	35	108	20	30	not allowed
FG 35/2500	30	6 +/-3	35	108	25	30	not allowed
FG 35/3500	30	6 +/-3	35	125	35	30	not allowed
FG 35/5000	30	6 +/-3	35	125	50	30	not allowed
FG 35/4055	30	6 +/-3	35	108	40, 45, 50, 55	30	not allowed
FG 35/6075	30	6 +/-3	35	108	60, 65, 70, 75	30	not allowed
FG 35/7590	30	6 +/-3	35	108	75, 80, 85, 90	30	not allowed
FG 35/90105	30	6 +/-3	35	108	90, 95, 100, 105	30	not allowed

*not designed for permanent use

Also available with special insert as **FG 41/...**
 Max Joint width 35 mm, Total movement 6 mm +/- 3 mm, Standard colours: grey, black, light beige.



FG 35/4055

Scale 1 : 2

MATERIAL

Aluminium side plates with perforated aluminium mounting brackets. Flexible high quality elastomeric insert, long wearing, weather resistant, temperature resistant (-30°C to + 120°C), extensively resistant to oils, acids and bitumen. Insert with smooth surface (no grooves).

Production length: 4 m
 Standard colours: black, grey, brown, light beige
 Corner versions : page 36–37
 Installation instructions: page 38–39

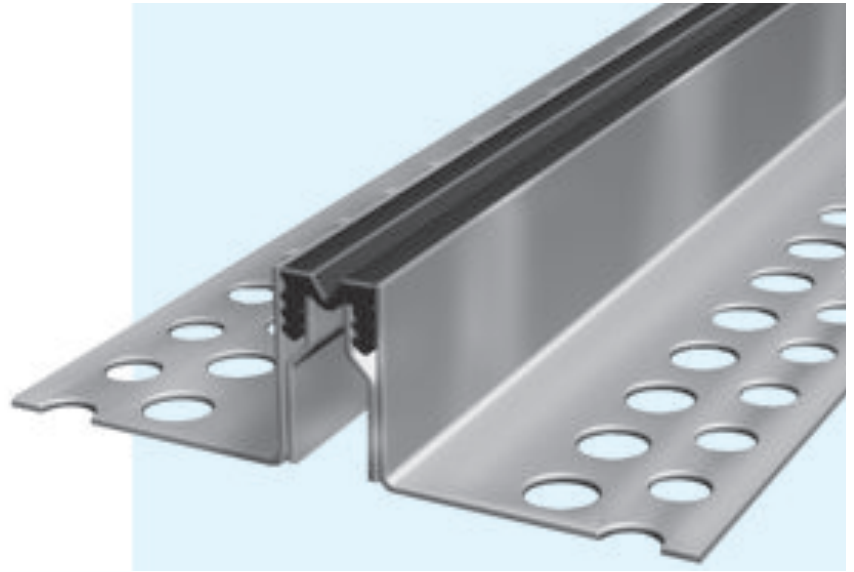
For installation in asphalt, please ask for our technical advise.

SERIES ES 20/... SOLID STAINLESS STEEL

FOR WALLS AND FLOORS, RESISTANT TO AGGRESSIVE MEDIA

MIGUA

- INSERT REPLACEABLE AT ANY TIME
- SECURE FIXING BY PERFORATED MOUNTING BRACKETS
- PROFILE ABSORBS SETTLEMENTS
- RESISTANT TO AGGRESSIVE MEDIA
- ANTIBACTERIAL AND PHYSIOLOGICALLY SAFE (ESG 20/...)



TECHNICAL DATA

Profile	Joint width max. mm	Total movement mm	Visible width of profile mm	Total width of profile mm	Installation height mm	*Load capacity private cars + lorries (DIN 1072) kN	Load capacity fork lift trucks (DIN 1055) kN
ES 20/2000	20	5 +3/-2	20	117	20	30	not allowed
ES 20/3500	20	5 +3/-2	20	117	35	30	not allowed
ES 20/5000	20	5 +3/-2	20	117	50	30	not allowed

*not designed for permanent use

MATERIAL

Solid stainless steel side plates with perforated mounting brackets, material 1.4301 (alloy 304).
Flexible high quality elastomeric insert, long wearing, weather resistant, temperature resistant (-30°C to + 120°C), extensively resistant to oils, acids and bitumen.

Other heights on request

Production length: 3 m, ES 20/2000: 2 m
Standard colours: black, grey
Installation instructions: page 38–39

All profiles are available as corner version E3 and E4.

Special version for hospitals

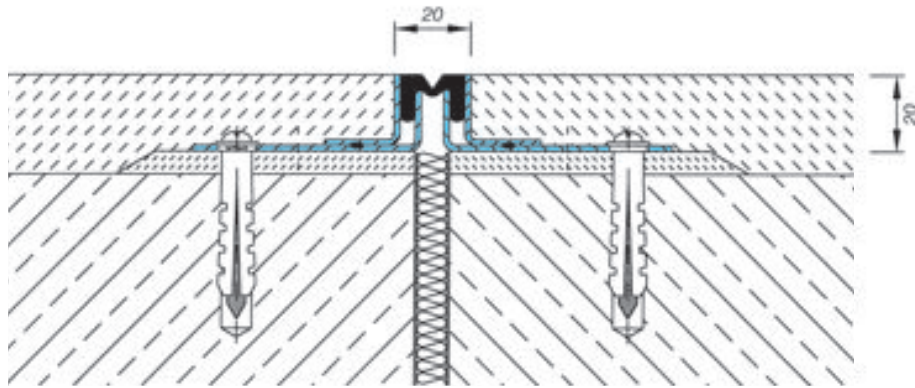
Series **ESG 20/...** with smooth elastomeric insert (surface without grooves).
Total movement 2 mm +/- 1 mm
Standard colour: grey

MIGUA

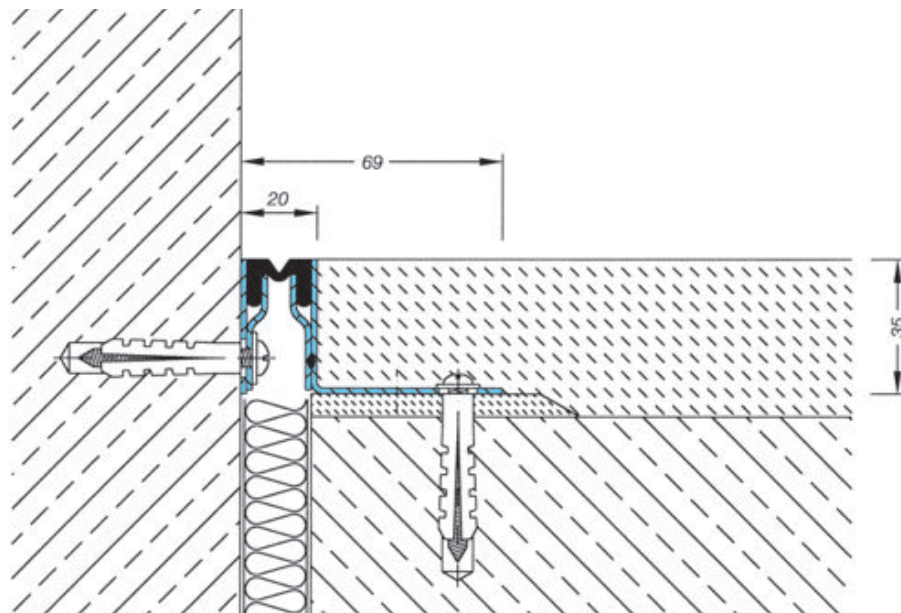
SERIES ES 20/... SOLID STAINLESS STEEL

FOR WALLS AND FLOORS, RESISTANT TO AGGRESSIVE MEDIA

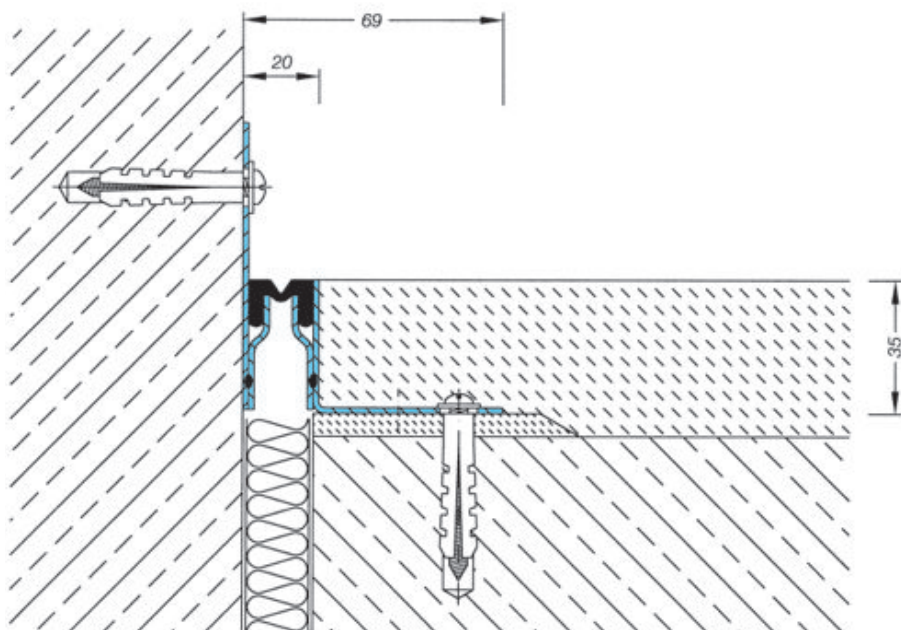
MIGUA



ES 20/2000



ES 20/3500 E3



ES 20/3500 E4

Scale 1 : 2

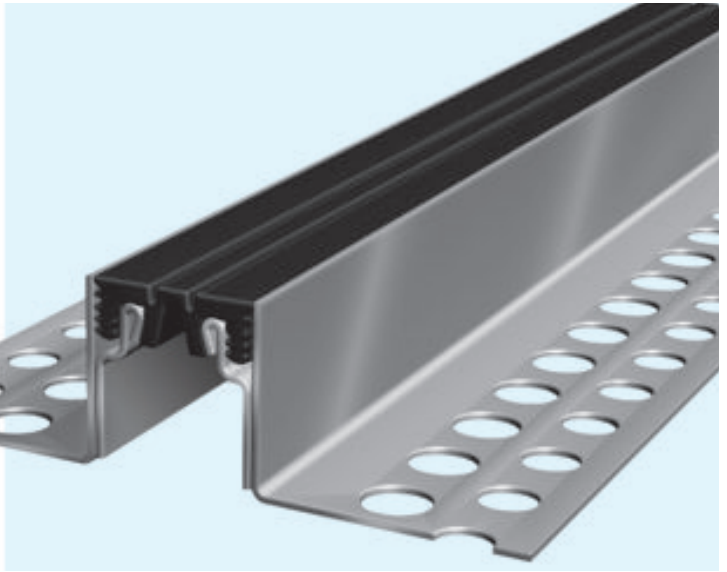
MIGUA

SERIES ES 33/... SOLID STAINLESS STEEL

FOR WALLS AND FLOORS, RESISTANT TO AGGRESSIVE MEDIA

MIGUA

- INSERT REPLACEABLE AT ANY TIME
- SECURE FIXING BY PERFORATED MOUNTING BRACKETS
- PROFILE ABSORBS SETTLEMENTS
- RESISTANT TO AGGRESSIVE MEDIA



TECHNICAL DATA

Profile	Joint width max. mm	Total movement mm	Visible width of profile mm	Total width of profile mm	Installation height mm	*Load capacity private cars + lorries (DIN 1072) kN	Load capacity fork lift trucks (DIN 1055) kN
ES 33/1500	30	10 +/-5	33	137	15	30	not allowed
ES 33/3500	30	10 +/-5	33	111	35	30	not allowed
ES 33/5000	30	10 +/-5	33	111	50	30	not allowed

*not designed for permanent use

MATERIAL

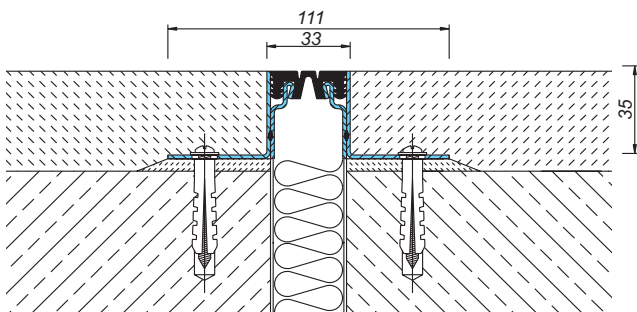
Solid stainless steel side plates with perforated mounting brackets, material 1.4301 (alloy 304).
Flexible high quality elastomeric insert, long wearing, weather resistant, temperature resistant (-30°C to + 120°C), extensively resistant to oils, acids and bitumen.

Other heights on request

Production length: 3 m, ES 33/1500: 2 m
Standard colours: black, grey, beige, brown
Installation instructions: page 38–39

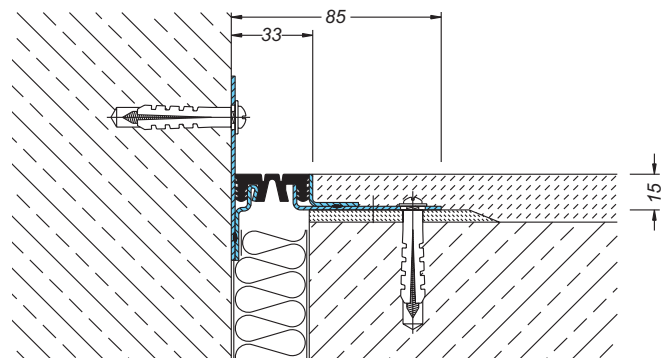
All profiles are available as corner version E3 and E4.

Also available with special insert as **ES 39/...** Standard colours: black, grey, beige Total movement 14 mm +/- 7 mm



ES 33/3500

Scale 1 : 3



Corner version ES 33/1500 E4

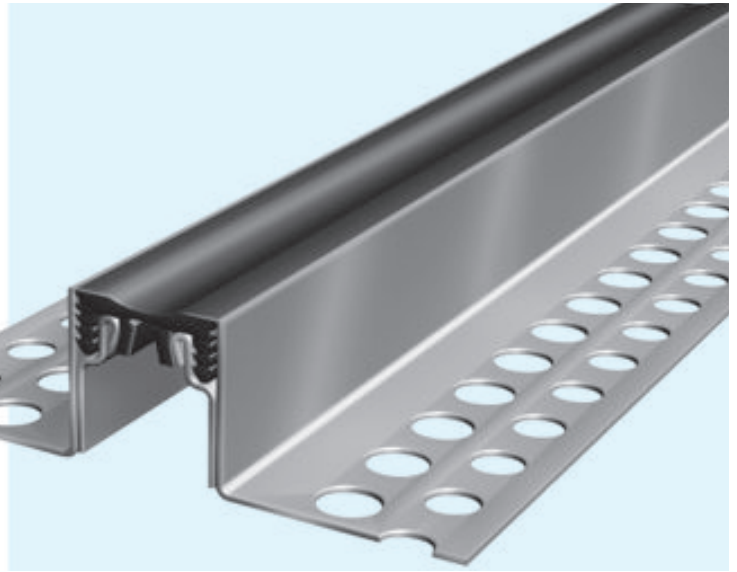
MIGUA

SERIES ESG 33/... SOLID STAINLESS STEEL

FOR HOSPITALS, RESISTANT TO AGGRESSIVE MEDIA

MIGUA

- SMOOTH VISIBLE SURFACE
- ANTIBACTERIAL AND PHYSIOLOGICALLY SAFE
- INSERT REPLACEABLE AT ANY TIME
- SECURE FIXING BY PERFORATED MOUNTING BRACKETS
- PROFILE ABSORBS SETTLEMENTS
- RESISTANT TO AGGRESSIVE MEDIA



TECHNICAL DATA

Profile	Joint width max. mm	Total movement mm	Visible width of profile mm	Total width of profile mm	Installation height mm	* Load capacity private cars + lorries (DIN 1072) kN	Load capacity fork lift trucks (DIN 1055) kN
ESG 33/1500	30	6 +/-3	33	137	15	30	not allowed
ESG 33/3500	30	6 +/-3	33	111	35	30	not allowed
ESG 33/5000	30	6 +/-3	33	111	50	30	not allowed

*not designed for permanent use

MATERIAL

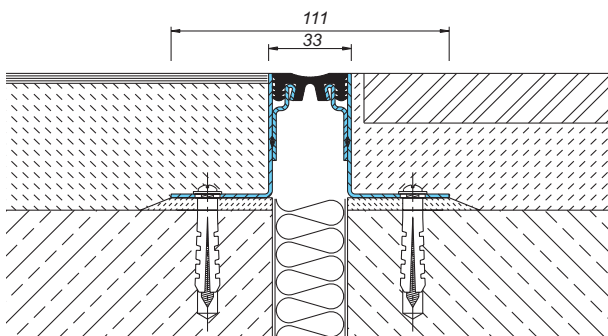
Solid stainless steel side plates with perforated mounting brackets, material 1.4301 (alloy 304). Flexible high quality elastomeric insert, long wearing, weather resistant, temperature resistant (-30°C to + 120°C), extensively resistant to oils, acids and bitumen. Insert with smooth visible surface (no grooves).

Other heights on request

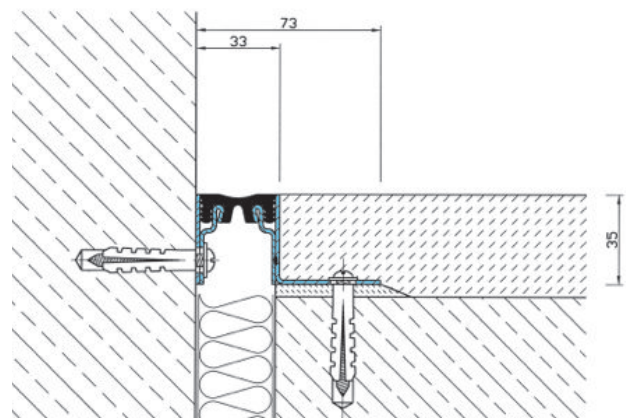
Production length: 3 m, ESG 33/1500: 2 m
Standard colours: black, grey, beige, brown
Installation instructions: page 38–39

All profiles are available in corner version E3 and E4.

Also available with special insert as **ESG 39/...** for max. joint width 35 mm.
Total movement **6 mm +/- 3 mm**. Standard colours: black, grey, beige



ESG 33/5000



Corner version ESG 33/3500 E3

Scale 1 : 3

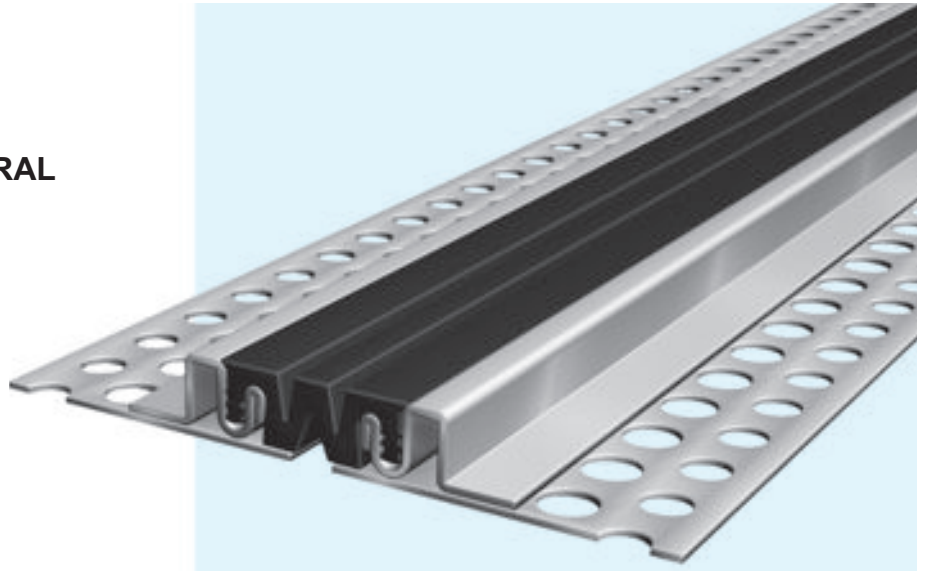
MIGUA

SERIES ES 60/... SOLID STAINLESS STEEL

FOR HEAVY DUTY FLOORS, RESISTANT TO AGGRESSIVE MEDIA

MIGUA

- INSERT REPLACEABLE AT ANY TIME
- HIGH LOAD RESISTANCE OF THE INSERT DUE TO CENTRAL SUPPORT FROM BELOW
- SUITABLE FOR HIGH LOADS
- POSITIVE CONNECTION OF PRODUCTION LENGTHS BY USE OF CONNECTING PIECES



TECHNICAL DATA

Profile	Joint width max. mm	Total movement mm	Visible width of profile mm	Total width of profile mm	Installation height mm	Load capacity lorries (DIN 1072) kN	Load capacity fork lift trucks (DIN 1055) kN	Load capacity solid plastic tyres kg/mm width of wheel
ES 60/1900	40	16 +10/-6	60	160	19	90	35	not allowed

MATERIAL

Solid stainless steel side plates with perforated mounting brackets, material 1.4401 (alloy 316).
Flexible high quality elastomeric insert, long wearing, weather resistant, temperature resistant (-30°C to + 120°C), extensively resistant to oils, acids and bitumen.

Production length: 4 m

Standard colours: black, grey

Installation instructions: page 39

All profiles are available as corner version E1, E3 and E4.

Special version for hospitals

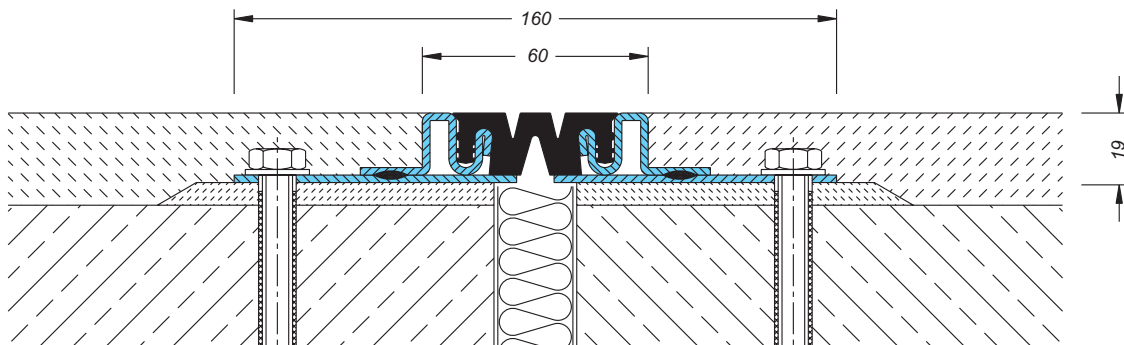
Profile ESG 60/1900 with smooth elastomeric insert (surface without grooves).

Antibacterial and physiologically safe.

Total movement 8 mm +/- 4 mm

Standard colour: grey

(see drawing on page 14)



ES 60/1900

Scale 1 : 2

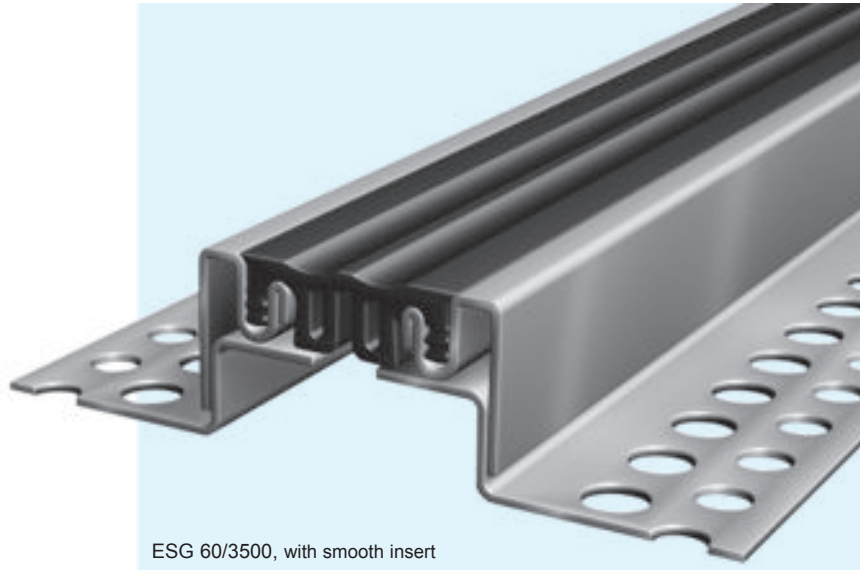
MIGUA

SERIES ES 60/... SOLID STAINLESS STEEL

FOR HEAVY DUTY FLOORS, RESISTANT TO AGGRESSIVE MEDIA

MIGUA

- INSERT REPLACEABLE AT ANY TIME
- HIGH LOAD RESISTANCE OF THE INSERT DUE TO CENTRAL SUPPORT FROM BELOW
- SUITABLE FOR HIGH LOADS
- POSITIVE CONNECTION OF PRODUCTION LENGTHS BY USE OF CONNECTING PIECES
- ANTIBACTERIAL AND PHYSIOLOGICALLY SAFE (ESG 60/...)



ESG 60/3500, with smooth insert

TECHNICAL DATA

Profile	Joint width max. mm	Total movement mm	Visible width of profile mm	Total width of profile mm	Installation height mm	Load capacity lorries (DIN 1072) kN	Load capacity fork lift trucks (DIN 1055) kN	Load capacity solid plastic tyres kg/mm width of wheel
ES 60/3500	50	16 +10/-6	60	152	37	90	35	not allowed
ES 60/4500	50	16 +10/-6	60	152	45	90	35	not allowed
ES 60/5500	50	16 +10/-6	60	152	55	90	35	not allowed

MATERIAL

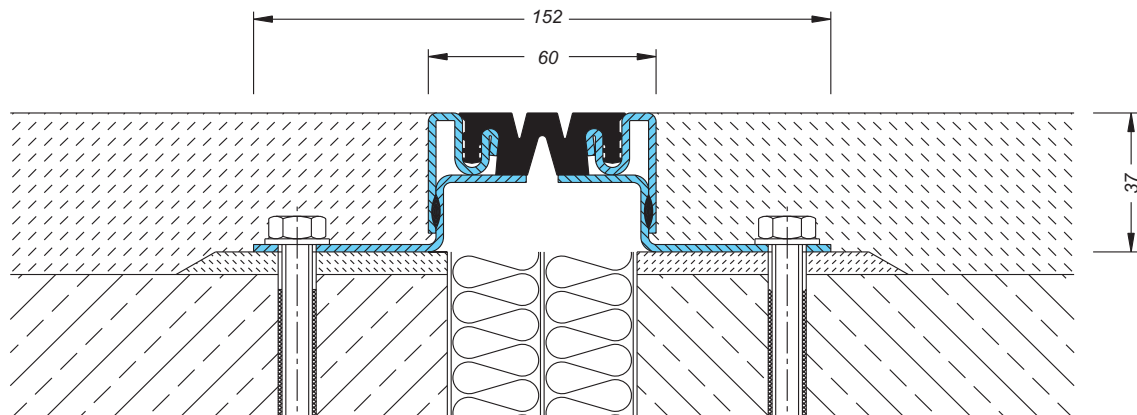
Solid stainless steel side plates with perforated mounting brackets, material 1.4401 (alloy 316). Flexible high quality elastomeric insert, long wearing, weather resistant, temperature resistant (-30°C to + 120°C), extensively resistant to oils, acids and bitumen.

Other heights on request

Production length: 4 m
 Standard colours: black, grey
 Installation instructions: page 39
 All profiles are available as corner version E1, E3 and E4.

Special version for hospitals

Profile ESG 60/3500, ESG 60/4500 and ESG 60/5500 with smooth elastomeric insert (surface without grooves). Total movement 8 mm +/- 4 mm
 Standard colour: grey
 (see photo above)



ES 60/3500

Scale 1 : 2

MIGUA

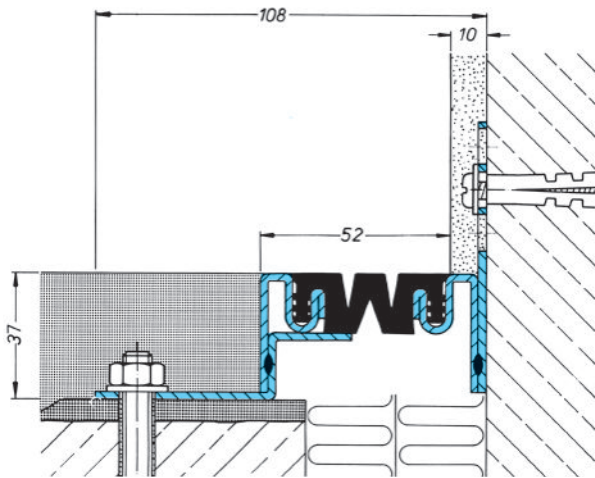
SERIES ES 60/... SOLID STAINLESS STEEL

FOR HEAVY DUTY FLOORS, RESISTANT TO AGGRESSIVE MEDIA

MIGUA

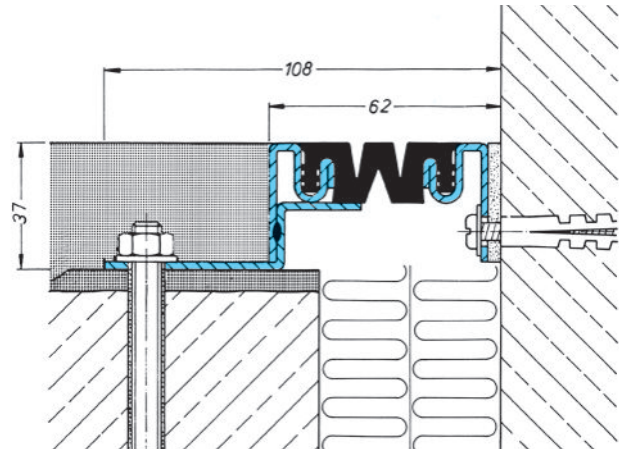
CORNER-VERSIONS

SERIES ES 60/... E1
for plaster



ES 60/3500 E1

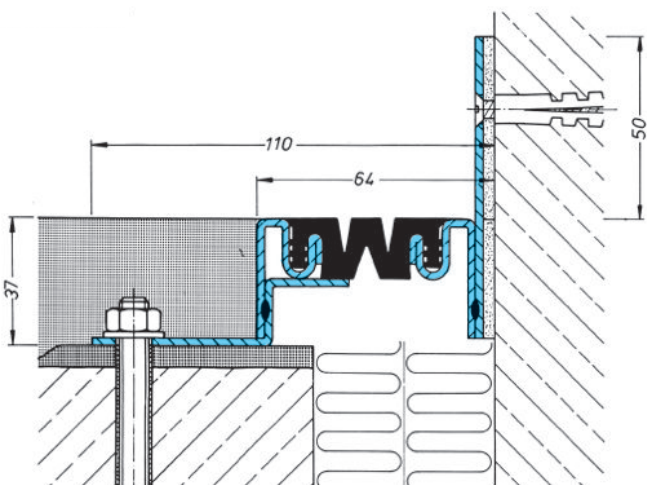
SERIES ES 60/... E3
with fixing plate downwards



ES 60/3500 E3

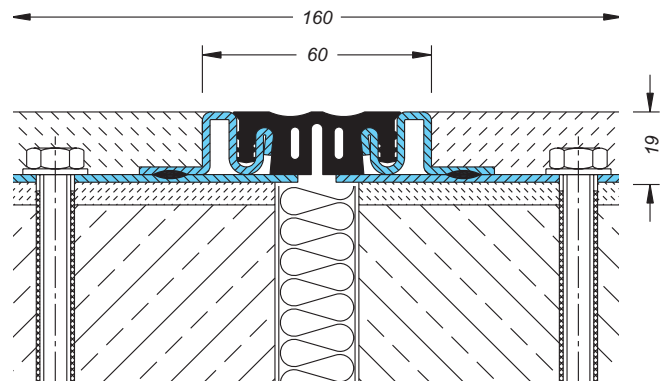
Scale 1 : 2

SERIES ES 60/... E4
for surface fixing



ES 60/3500 E4

SERIES ESG 60/...
Special version for hospitals



ESG 60/1900

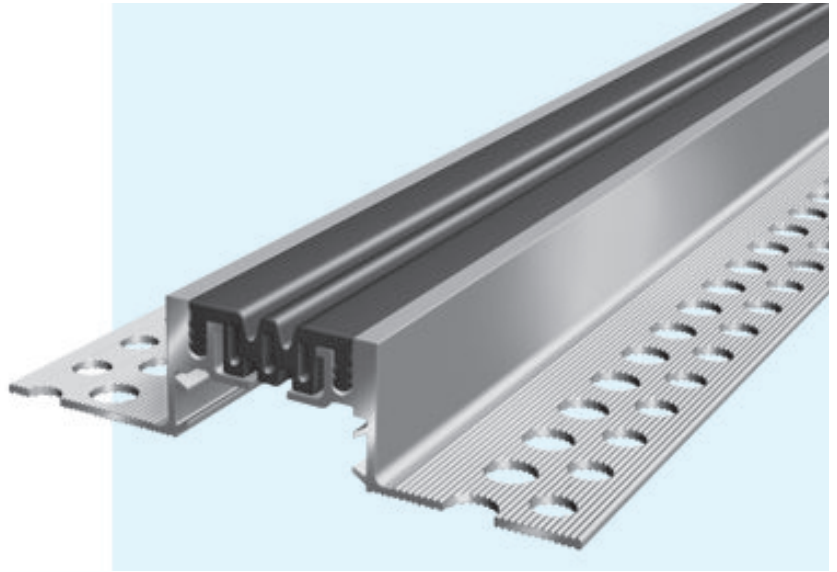
Scale 1 : 2

SERIES FP 55/...

FOR WALLS AND FLOORS

MIGUA

- INSERT REPLACEABLE AT ANY TIME
- POSITIVE CONNECTION OF PRODUCTION LENGTHS BY USE OF CONNECTING PIECES
- PROFILE ABSORBS SETTLEMENTS
- MOVEMENT CAPACITY 16 MM
- FOR JOINT WIDTHS UP TO 50 MM



TECHNICAL DATA

Profile	Joint width max. mm	Total movement mm	Visible width of profile mm	Total width of profile mm	Installation height mm	Load capacity private cars kN	*Load capacity lorries (DIN 1072) kN	Load capacity fork lift trucks (DIN 1055) kN
FP 55/2000	50	16 +/-8	55	150	20	30	300	not allowed
FP 55/2500	50	16 +/-8	55	150	25	30	300	not allowed
FP 55/3500	50	16 +/-8	55	150	35	30	300	not allowed
FP 55/5000	50	16 +/-8	55	150	50	30	300	not allowed
FP 55/7500	50	16 +/-8	55	150	75	30	300	not allowed

Larger installation heights on request

*not designed for permanent use

MATERIAL

Aluminium side plates with perforated mounting brackets.
Flexible high quality elastomeric insert, long wearing, weather resistant, temperature resistant (-30°C to + 120°C), extensively resistant to oils, acids and bitumen.

Production length: 4 m, Standard colours: black, grey, light beige

Corner versions: page 36–37

Installation instructions: page 39

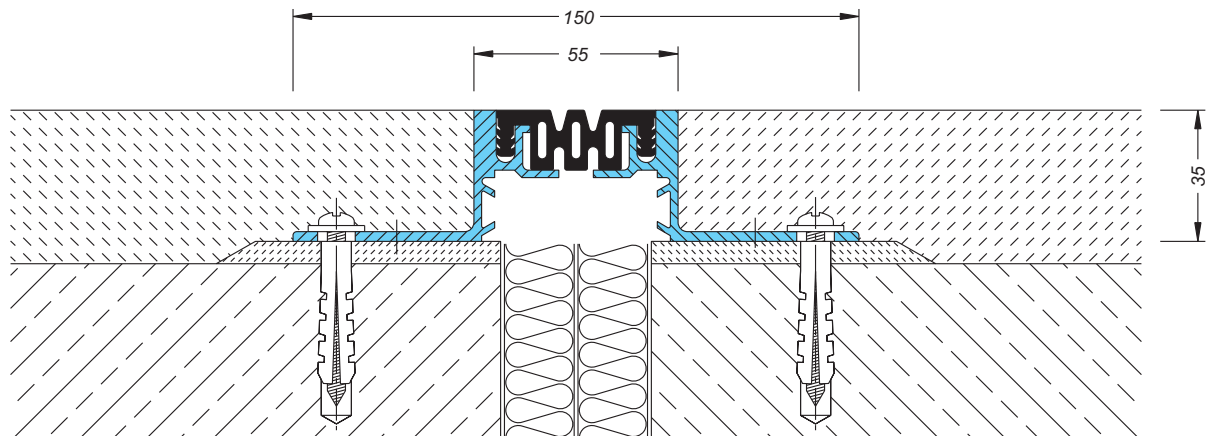
For installation in asphalt, please ask for our technical advice.

Profiles are also available as FK 55/... , insert with 3 mm upstand.

Series FK 55/...

Production length: 4 m Standard colour: black

Upstand: 3 mm



FP 55/3500

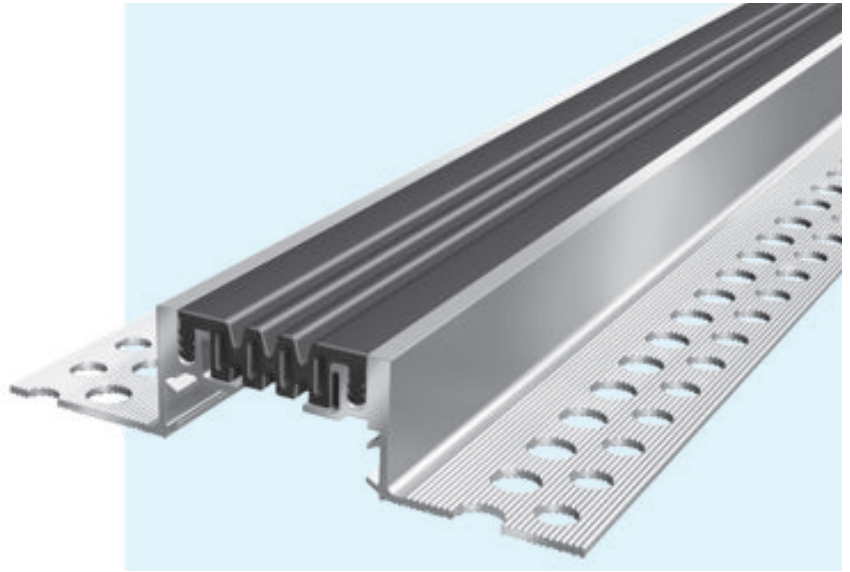
Scale 1 : 2

SERIES FP 55/... 4S

FOR WALLS AND FLOORS

MIGUA

- INSERT REPLACEABLE AT ANY TIME
- POSITIVE CONNECTION OF PRODUCTION LENGTHS BY USE OF CONNECTING PIECES
- PROFILE ABSORBS SETTLEMENTS
- MOVEMENT CAPACITY 22 MM
- FOR JOINT WIDTHS UP TO 58 MM



TECHNICAL DATA

Profile	Joint width max. mm	Total movement mm	Visible width of profile mm	Total width of profile mm	Installation height mm	Load capacity private cars kN	*Load capacity lorries (DIN 1072) kN	Load capacity fork lift trucks (DIN 1055) kN
FP 55/2000-4S	58	22 +/-11	63	158	20	30	300	not allowed
FP 55/2500-4S	58	22 +/-11	63	158	25	30	300	not allowed
FP 55/3500-4S	58	22 +/-11	63	158	35	30	300	not allowed
FP 55/5000-4S	58	22 +/-11	63	158	50	30	300	not allowed
FP 55/7500-4S	58	22 +/-11	63	158	75	30	300	not allowed

Larger installation heights on request

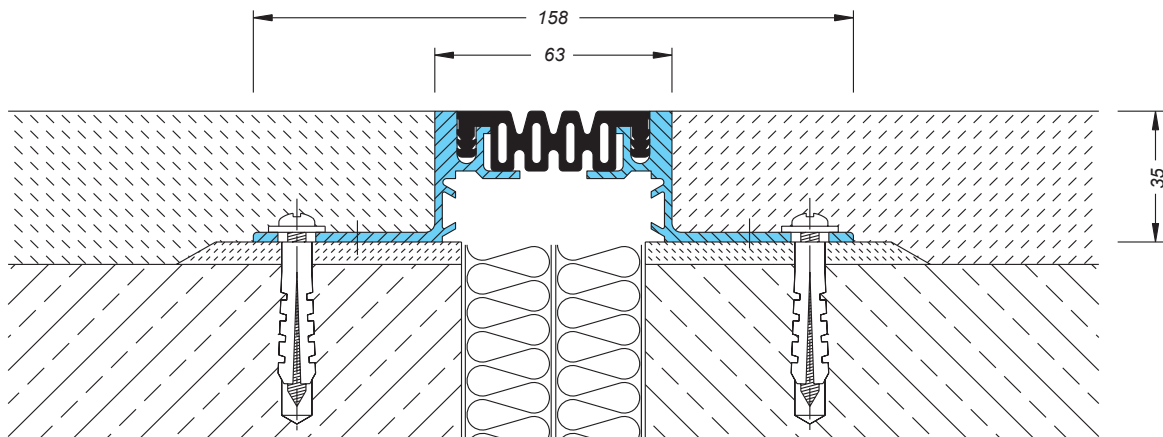
*not designed for permanent use

MATERIAL

Aluminium side plates with perforated mounting brackets.
Flexible high quality elastomeric insert, long wearing, weather resistant, temperature resistant (-30°C to + 120°C), extensively resistant to oils, acids and bitumen.

Production length: 4 m, Standard colours: black, grey, beige
Corner versions: page 36–37
Installation instructions: page 39

For installation in asphalt, please ask for our technical advice.



FP 55/3500 4S

Scale 1 : 2

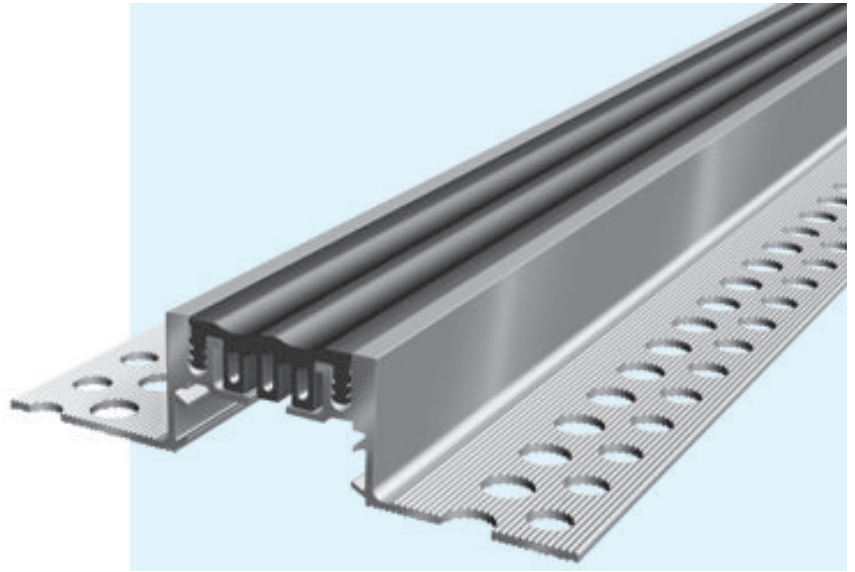
MIGUA

SERIES FPG 55/... WITH SMOOTH INSERT

FOR FLOORS WITH HYGIENIC REQUIREMENTS

MIGUA

- INSERT REPLACEABLE AT ANY TIME
- POSITIVE CONNECTION OF PRODUCTION LENGTHS BY USE OF CONNECTING PIECES
- PROFILE ABSORBS SETTLEMENTS
- SMOOTH VISIBLE SURFACE
- FOR JOINT WIDTHS UP TO 50 MM
- ANTIBACTERIAL AND PHYSIOLOGICALLY SAFE



TECHNICAL DATA

Profile	Joint width max. mm	Total movement mm	Visible width of profile mm	Total width of profile mm	Installation height mm	Load capacity private cars kN	*Load capacity lorries (DIN 1072) kN	Load capacity fork lift trucks (DIN 1055) kN
FPG 55/2000	50	8 +/-4	55	150	20	30	300	not allowed
FPG 55/2500	50	8 +/-4	55	150	25	30	300	not allowed
FPG 55/3500	50	8 +/-4	55	150	35	30	300	not allowed
FPG 55/5000	50	8 +/-4	55	150	50	30	300	not allowed
FPG 55/7500	50	8 +/-4	55	150	75	30	300	not allowed

Larger installation heights on request

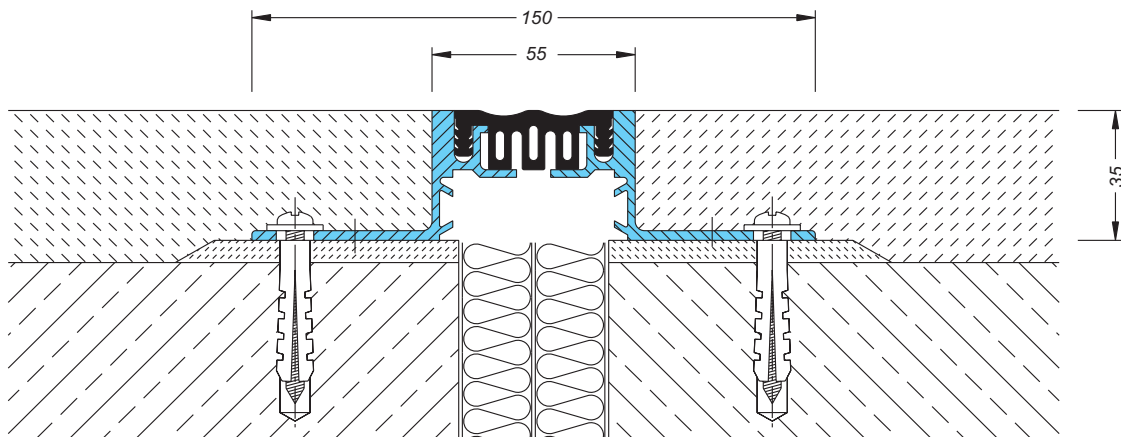
*not designed for permanent use

MATERIAL

Aluminium side plates with perforated mounting brackets.
Flexible high quality elastomeric insert, long wearing, weather resistant, temperature resistant (-30°C to + 120°C), extensively resistant to oils, acids and bitumen.

Production length: 4 m
Standard colours: black, grey
Corner versions: page 36–37
Installation instructions: page 39

For installation in asphalt, please ask for our technical advice.



FPG 55/3500

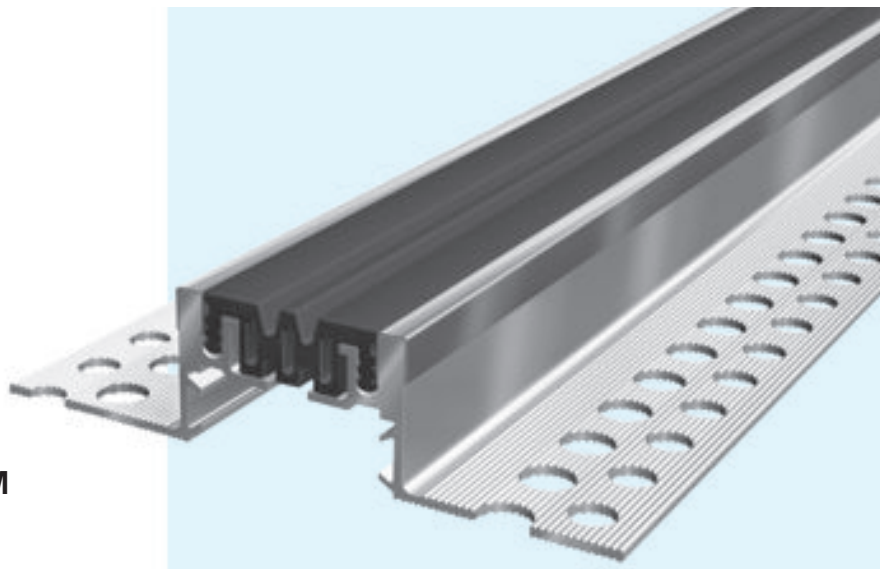
Scale 1 : 2

MIGUA

SERIES FP 55/... MS WITH CAPPINGS MADE OF BRASS SERIES FP 55/... NI WITH CAPPINGS MADE OF STAINLESS STEEL

MIGUA

- INSERT REPLACEABLE AT ANY TIME
- POSITIVE CONNECTION OF PRODUCTION LENGTHS BY STAGGERING THE JOINTS
- SOLID CONSTRUCTION
- MOVEMENT CAPACITY UP TO 22 MM
- FOR JOINT WIDTHS UP TO 58 MM



TECHNICAL DATA

Profile	Joint width max. mm	Total movement mm	Visible width of profile mm	Total width of profile mm	Installation height mm	Load capacity private cars kN	*Load capacity lorries (DIN 1072) kN	*Load capacity fork lift trucks (DIN 1055) kN
FP 55/2100 MS or NI	50	16 +/-8	57	150	21	30	300	not allowed
FP 55/2600 MS or NI	50	16 +/-8	57	150	26	30	300	not allowed
FP 55/3600 MS or NI	50	16 +/-8	57	150	36	30	300	not allowed
FP 55/5100 MS or NI	50	16 +/-8	57	150	51	30	300	not allowed
FP 55/7600 MS or NI	50	16 +/-8	57	150	76	30	300	not allowed

Larger installation heights on request

* not designed for permanent use

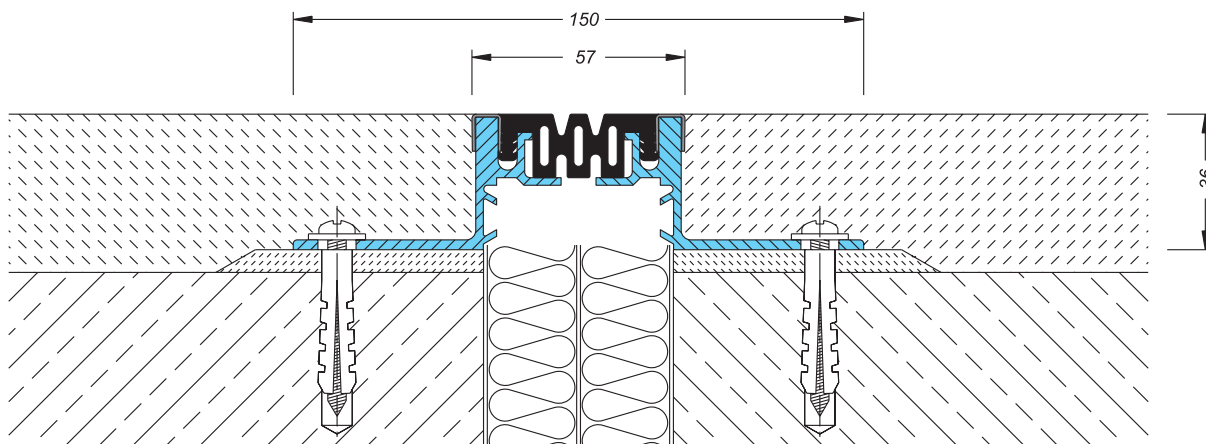
MATERIAL

Aluminium side plates with perforated mounting brackets. The parts remaining visible after installation have a rolled-on U-profile made of stainless steel (NI) or brass (MS). Flexible high quality elastomeric insert, long wearing, weather resistant, temperature resistant (-30°C to + 120°C), extensively resistant to oils, acids and bitumen.

Production length: 4 m
Standard colours: black, grey
Corner versions: page 36–37
Installation instructions: page 39

For installation in asphalt, please ask for our technical advice.

All profiles also available with special insert "4 S". Max. joint width 58 mm. Total movement 22 mm +/- 11 mm. Visible width 65 mm. Standard colours: black, grey



FP 55/3600 NI

Scale 1 : 2

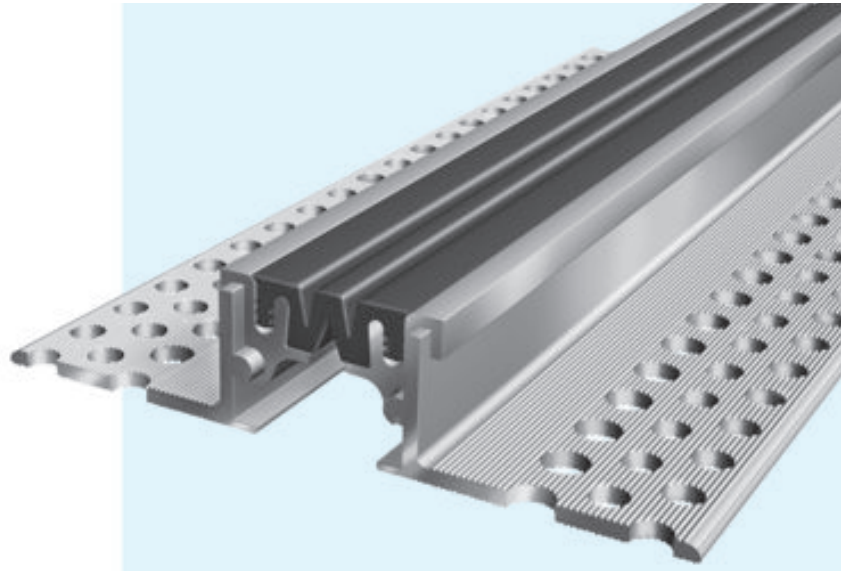
MIGUA

SERIES FP 60/...

FOR HEAVY DUTY FLOORS

MIGUA

- INSERT REPLACEABLE AT ANY TIME
- POSITIVE CONNECTION OF PRODUCTION LENGTHS BY STAGGERING THE JOINTS
- SOLID CONSTRUCTION
- MOVEMENT CAPACITY 16 MM
- FOR JOINT WIDTHS UP TO 50 MM
- ANTIBACTERIAL AND PHYSIOLOGICALLY SAFE (FPG 60/...)



TECHNICAL DATA

Profile	Joint width max. mm	Total movement mm	Visible width of profile mm	Total width of profile mm	Installation height mm	Load capacity private cars kN	Load capacity lorries (DIN 1072) kN	Load capacity fork lift trucks (DIN 1055) kN
FP 60/3000	50	16 +10/-6	63	197	30	30	300	35
FP 60/4000	50	16 +10/-6	63	197	40	30	300	35
FP 60/5000	50	16 +10/-6	63	197	50	30	300	35
FP 60/6500	50	16 +10/-6	63	197	65	30	300	35
FP 60/7500	50	16 +10/-6	63	197	75	30	300	35
FP 60/8500	50	16 +10/-6	63	197	85	30	300	35

Larger installation heights on request

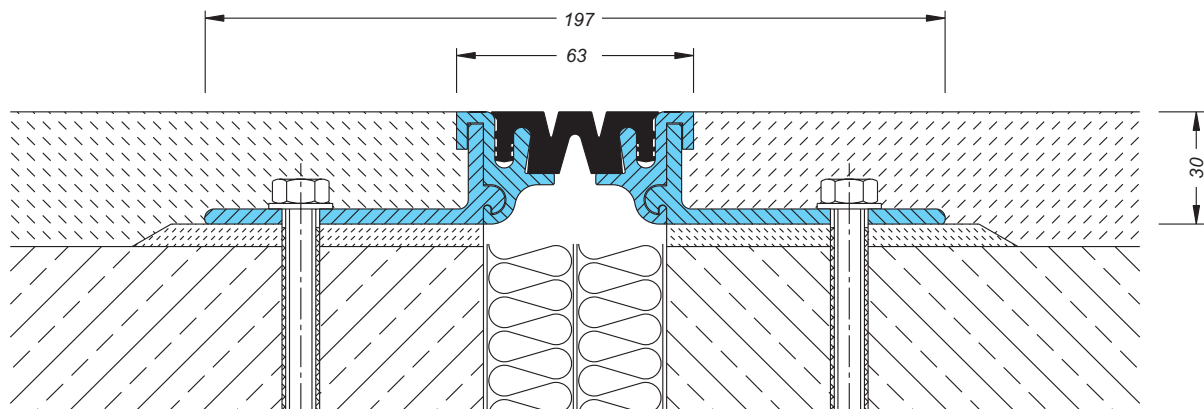
MATERIAL

Aluminium side plates with perforated aluminium mounting brackets.
Flexible high quality elastomeric insert, long wearing, weather resistant, temperature resistant (-30°C to + 120°C), extensively resistant to oils, acids and bitumen.

Production length: 4 m, standard colours: black, grey
Corner versions: page 36-37, installation instructions: page 39

Also available in special version **FPG 60/...** with smooth insert. Standard colour: grey. Total movement 8 mm +/- 4 mm

For installation in asphalt, please ask for our technical advice.



FP 60/3000

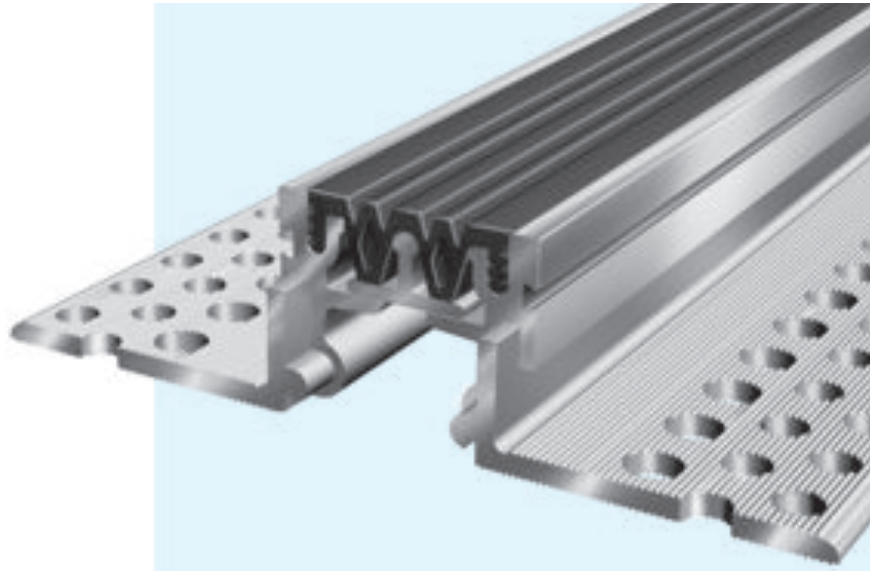
Scale 1 : 2

MIGUA

SERIES FP 60/... MS WITH CAPPINGS MADE OF BRASS SERIES FP 60/... NI WITH CAPPINGS MADE OF STAINLESS STEEL

MIGUA

- INSERT REPLACEABLE AT ANY TIME
- POSITIVE CONNECTION OF PRODUCTION LENGTHS BY STAGGERING THE JOINTS
- SOLID CONSTRUCTION
- MOVEMENT CAPACITY 20 MM
- FOR JOINT WIDTHS UP TO 50 MM



TECHNICAL DATA

Profile	Joint width max. mm	Total movement mm	Visible width of profile mm	Total width of profile mm	Installation height mm	Load capacity private cars kN	*Load capacity lorries (DIN 1072) kN	*Load capacity fork lift trucks (DIN 1055) kN
FP 60/ 4500 MS or NI	50	20 +/-10	60	192	45	30	300	35
FP 60/ 5500 MS or NI	50	20 +/-10	60	192	55	30	300	35
FP 60/ 6500 MS or NI	50	20 +/-10	60	192	65	30	300	35
FP 60/ 8000 MS or NI	50	20 +/-10	60	192	80	30	300	35
FP 60/ 9000 MS or NI	50	20 +/-10	60	192	90	30	300	35
FP 60/10000 MS or NI	50	20 +/-10	60	192	100	30	300	35

Larger installation heights on request

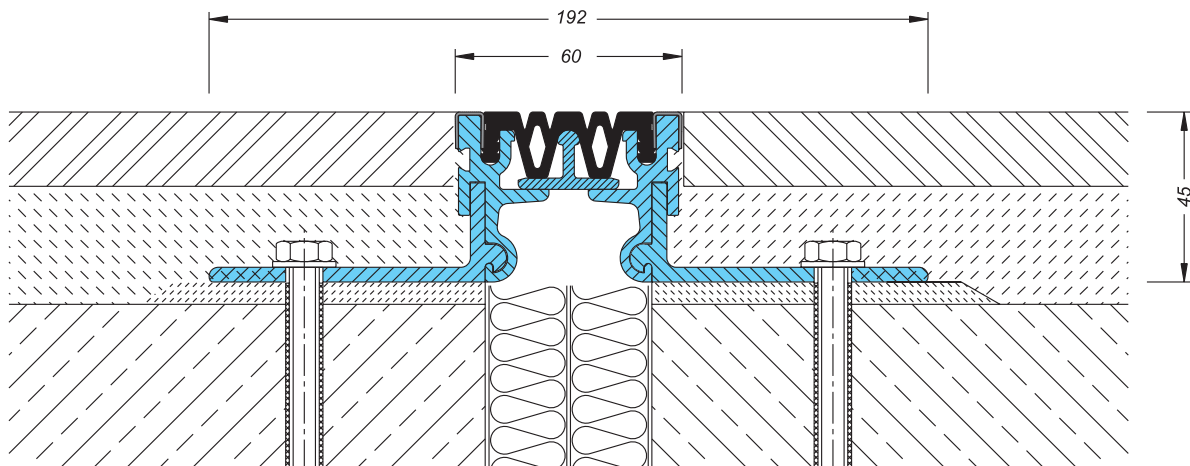
*not designed for permanent use

MATERIAL

Aluminium side plates with perforated mounting brackets. The parts remaining visible after installation have a rolled-on U-profile made of stainless steel (NI) or brass (MS). Flexible high quality elastomeric insert, long wearing, weather resistant, temperature resistant (-30°C to + 120°C), extensively resistant to oils, acids and bitumen.

Production length: 4 m
Standard colours: black
Corner versions: page 36–37
Installation instructions: page 39

For installation in asphalt, please ask for our technical advice.



FP 60/4500 NI

Scale 1 : 2

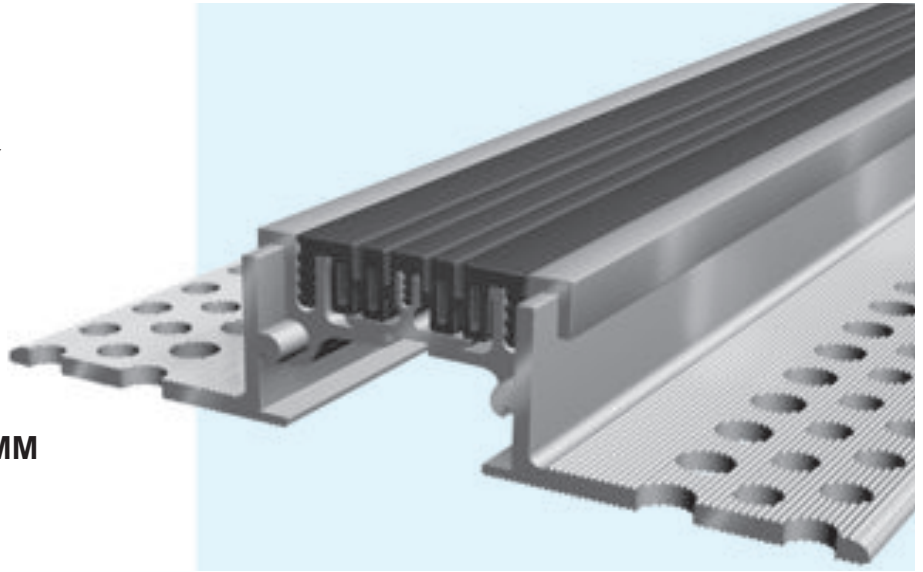
MIGUA

SERIES FP 70/...

FOR WALLS AND FLOORS

MIGUA

- INSERT REPLACEABLE AT ANY TIME
- POSITIVE CONNECTION OF PRODUCTION LENGTHS BY STAGGERING THE JOINTS
- PERFORATED MOUNTING BRACKETS
- MOVEMENT CAPACITY 25 MM
- FOR JOINT WIDTHS UP TO 70 MM
- ANTIBACTERIAL AND PHYSIOLOGICALLY SAFE (FPG 70/...)



TECHNICAL DATA

Profile	Joint width max. mm	Total movement mm	Visible width of profile mm	Total width of profile mm	Installation height mm	Load capacity private cars kN	*Load capacity lorries (DIN 1072) kN	Load capacity fork lift trucks (DIN 1055) kN
FP 70/2100	70	25 +16/-9	76	210	21	30	300	not allowed
FP 70/3000	70	25 +16/-9	76	210	30	30	300	not allowed
FP 70/4000	70	25 +16/-9	76	210	40	30	300	not allowed
FP 70/5000	70	25 +16/-9	76	210	50	30	300	not allowed
FP 70/6500	70	25 +16/-9	76	210	65	30	300	not allowed
FP 70/7500	70	25 +16/-9	76	210	75	30	300	not allowed
FP 70/8500	70	25 +16/-9	76	210	85	30	300	not allowed

Larger installation heights on request

*not designed for permanent use

MATERIAL

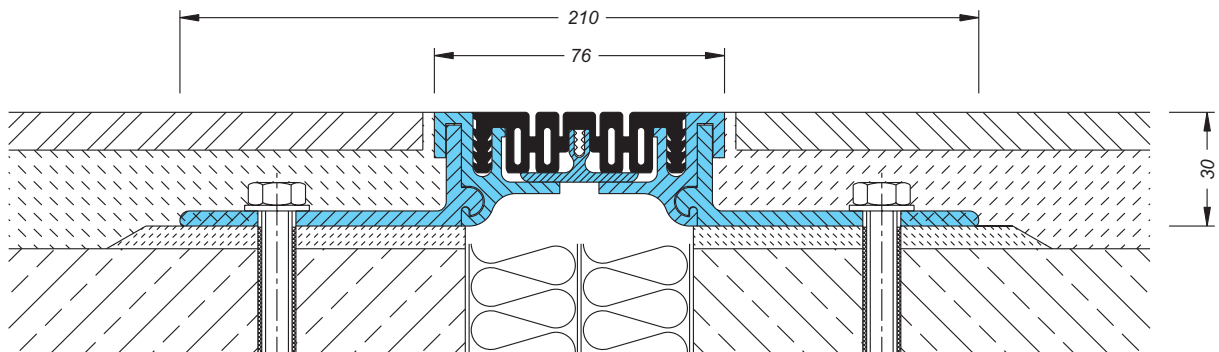
Aluminium side plates with perforated mounting brackets.
Flexible high quality elastomeric insert, long wearing, weather resistant, temperature resistant (-30°C to + 120°C), extensively resistant to oils, acids and bitumen.

Production length: 4 m, standard colours: black, grey
Corner versions: page 36–37, installation instructions: page 39

For installation in asphalt, please ask for our technical advice.

Special version for hospitals

Series **FPG 70/...** with smooth elastomeric insert (surface without grooves).
Total movement 12 mm +/- 6 mm
Standard colour: grey



FP 70/3000

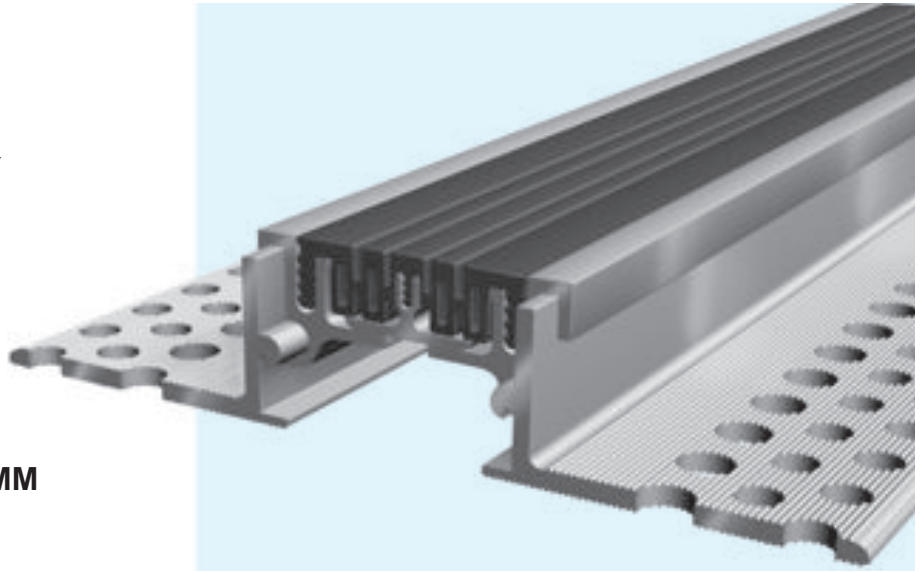
Scale 1 : 2

MIGUA

SERIES FP 70/...NI WITH CAPPINGS MADE OF STAINLESS STEEL

MIGUA

- INSERT REPLACEABLE AT ANY TIME
- POSITIVE CONNECTION OF PRODUCTION LENGTHS BY STAGGERING THE JOINTS
- PERFORATED MOUNTING BRACKETS
- MOVEMENT CAPACITY 25 MM
- FOR JOINT WIDTHS UP TO 70 MM



TECHNICAL DATA

Profile	Joint width max. mm	Total movement mm	Visible width of profile mm	Total width of profile mm	Installation height mm	Load capacity private cars kN	*Load capacity lorries (DIN 1072) kN	Load capacity fork lift trucks (DIN 1055) kN
FP 70/2200 NI	70	25 +16/-9	78	210	22	30	300	not allowed
FP 70/3000 NI	70	25 +16/-9	78	210	31	30	300	not allowed
FP 70/4000 NI	70	25 +16/-9	78	210	41	30	300	not allowed
FP 70/5000 NI	70	25 +16/-9	78	210	51	30	300	not allowed
FP 70/6500 NI	70	25 +16/-9	78	210	66	30	300	not allowed
FP 70/7500 NI	70	25 +16/-9	78	210	76	30	300	not allowed
FP 70/8500 NI	70	25 +16/-9	78	210	86	30	300	not allowed

Larger installation heights on request

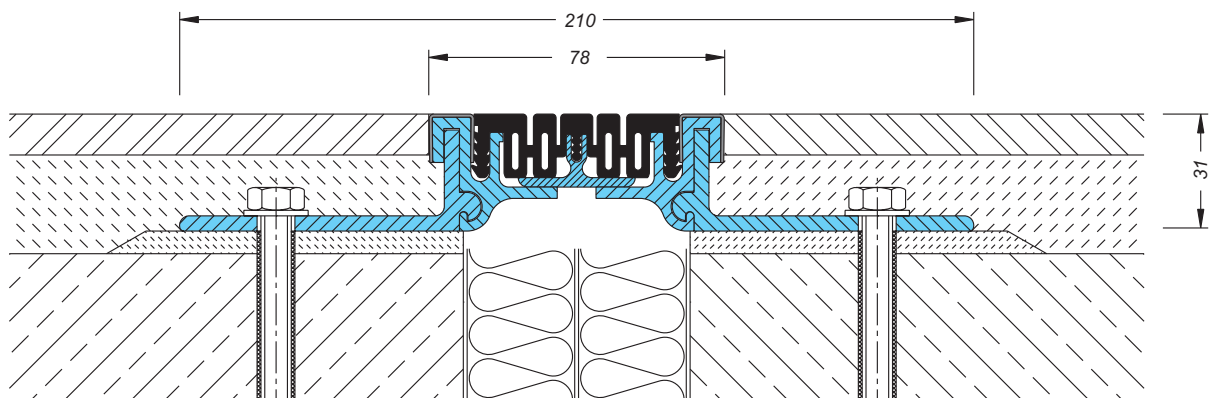
*not designed for permanent use

MATERIAL

Aluminium side plates with perforated mounting brackets. The parts remaining visible after installation have a rolled-on U-profile made of stainless steel (NI). Flexible high quality elastomeric insert, long wearing, weather resistant, temperature resistant (-30°C to + 120°C), extensively resistant to oils, acids and bitumen.

Production length: 4 m, standard colours: black
 Corner versions: page 36–37, installation instructions: page 39

For installation in asphalt, please ask for our technical advice.



FP 70/3000 NI

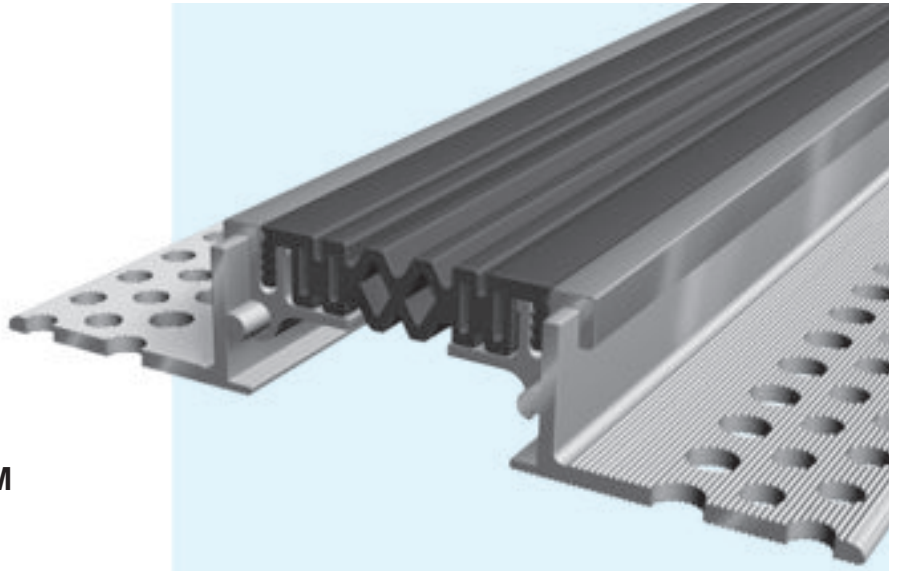
Scale 1 : 2

MIGUA

SERIES FP 100/...NI WITH CAPPINGS MADE OF STAINLESS STEEL

MIGUA

- INSERT REPLACEABLE AT ANY TIME
- POSITIVE CONNECTION OF PRODUCTION LENGTHS BY STAGGERING THE JOINTS
- PROFILE ABSORBS SETTLEMENTS
- MOVEMENT CAPACITY 30 MM
- FOR JOINT WIDTHS UP TO 90 MM



TECHNICAL DATA

Profile	Joint width max. mm	Total movement mm	Visible width of profile mm	Total width of profile mm	Installation height mm	Load capacity private cars kN	*Load capacity lorries (DIN 1072) kN	Load capacity fork lift trucks (DIN 1055) kN
FP 100/2200 NI	90	30 +/-15	102	234	22	30	300	not allowed
FP 100/3000 NI	90	30 +/-15	102	234	31	30	300	not allowed
FP 100/4000 NI	90	30 +/-15	102	234	41	30	300	not allowed
FP 100/5000 NI	90	30 +/-15	102	234	51	30	300	not allowed
FP 100/6500 NI	90	30 +/-15	102	234	66	30	300	not allowed
FP 100/7500 NI	90	30 +/-15	102	234	76	30	300	not allowed
FP 100/8500 NI	90	30 +/-15	102	234	86	30	300	not allowed

Larger installation heights on request

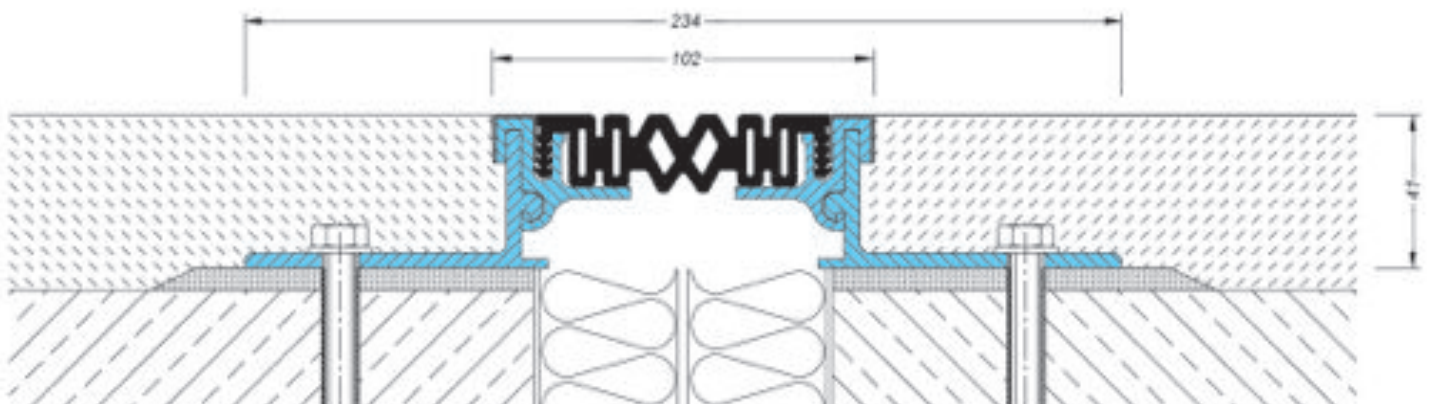
*not designed for permanent use

MATERIAL

Aluminium side plates with perforated mounting brackets. The parts remaining visible after installation have a rolled-on U-profile made of stainless steel (NI). Flexible high quality elastomeric insert, long wearing, weather resistant, temperature resistant (-30°C to + 120°C), extensively resistant to oils, acids and bitumen.

Production length: 4 m, standard colours: black, grey
 Corner versions: page 36–37, installation instructions: page 39

For installation in asphalt, please ask for our technical advice.



FP 100/4000 NI

Scale 1 : 2

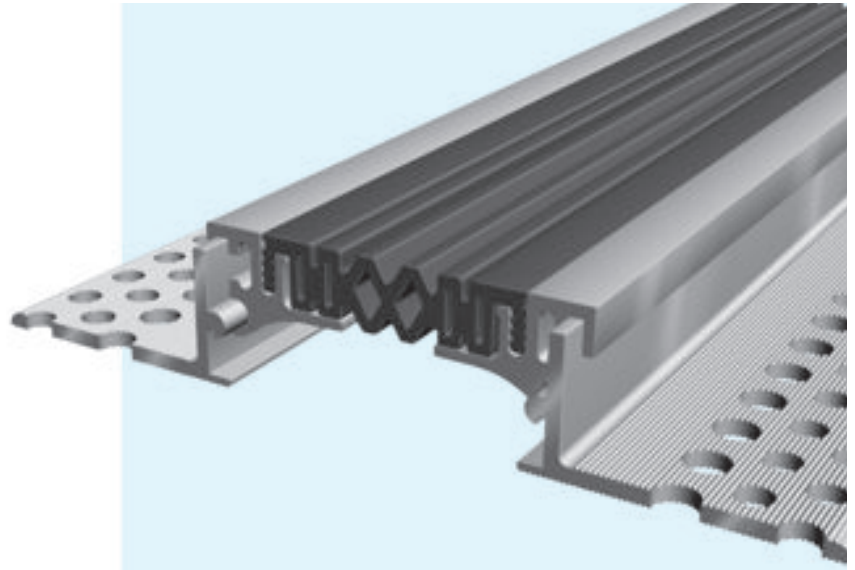
MIGUA

SERIES FPO 116/...

FOR FLOORS WITH LARGE MOVEMENTS

MIGUA

- INSERT REPLACEABLE AT ANY TIME
- POSITIVE CONNECTION OF PRODUCTION LENGTHS BY STAGGERING THE JOINTS
- PROFILE ABSORBS SETTLEMENTS
- MOVEMENT CAPACITY 30 MM
- FOR JOINT WIDTHS UP TO 105 MM



TECHNICAL DATA

Profile	Joint width max. mm	Total movement mm	Visible width of profile mm	Total width of profile mm	Installation height mm	Load capacity private cars kN	*Load capacity lorries (DIN 1072) kN	Load capacity fork lift trucks (DIN 1055) kN
FPO 116/3000	105	30 +/-15	116	249	30	30	300	not allowed
FPO 116/4000	105	30 +/-15	116	249	40	30	300	not allowed
FPO 116/5000	105	30 +/-15	116	249	50	30	300	not allowed
FPO 116/6500	105	30 +/-15	116	249	65	30	300	not allowed
FPO 116/7500	105	30 +/-15	116	249	75	30	300	not allowed
FPO 116/8500	105	30 +/-15	116	249	85	30	300	not allowed

Larger installation heights on request

* not designed for permanent use

MATERIAL

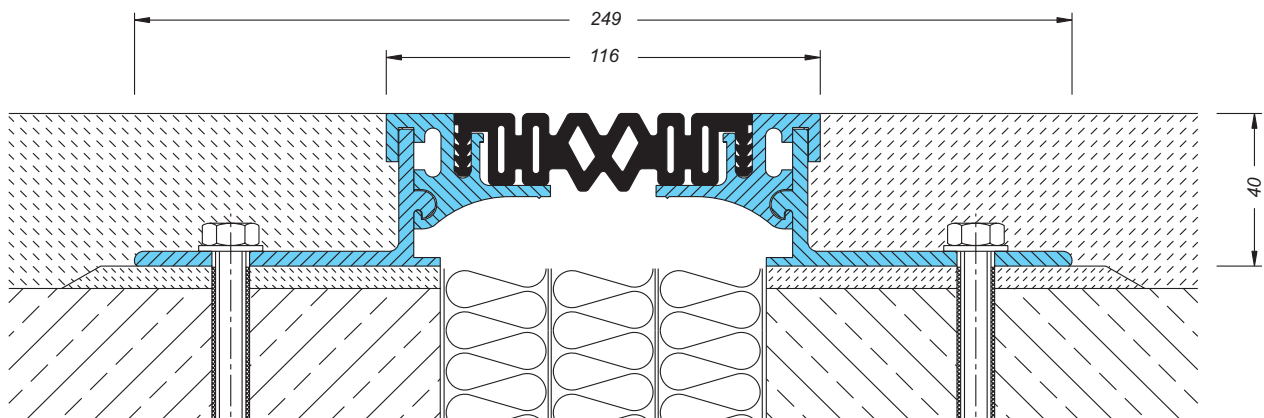
Aluminium side plates with perforated mounting brackets.
Flexible high quality elastomeric insert, long wearing, weather resistant, temperature resistant (-30°C to + 120°C), extensively resistant to oils, acids and bitumen.

Production length: 4 m, standard colours: black, grey

Corner versions: page 36–37

Installation instructions: page 39

For installation in asphalt, please ask for our technical advice.



FPO 116/4000

Scale 1 : 2

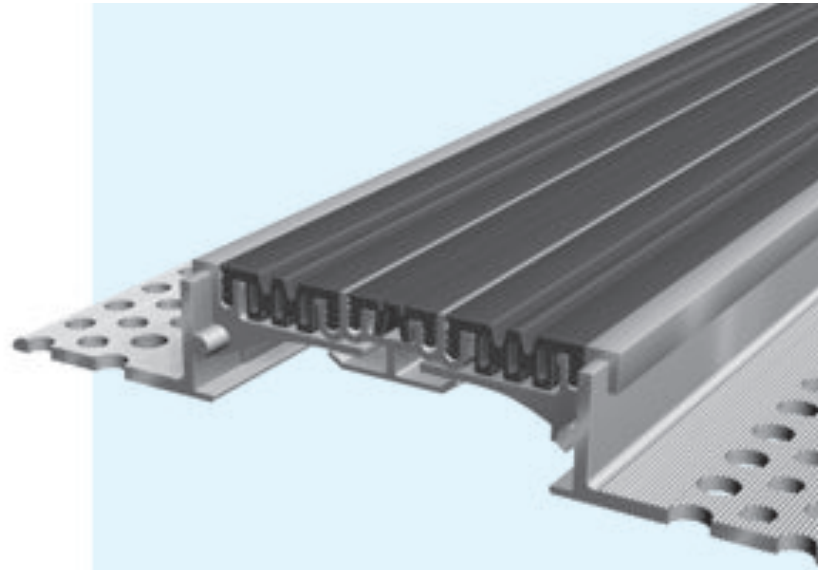
MIGUA

SERIES FP 135/...

FOR FLOORS WITH EXTREMELY WIDE JOINTS

MIGUA

- INSERT REPLACEABLE AT ANY TIME
- POSITIVE CONNECTION OF PRODUCTION LENGTHS BY STAGGERING THE JOINTS
- SOLID CONSTRUCTION
- MOVEMENT CAPACITY 34 MM
- FOR JOINT WIDTHS UP TO 120 MM
- ANTIBACTERIAL AND PHYSIOLOGICALLY SAFE (FPG 135/...)



TECHNICAL DATA

Profile	Joint width max. mm	Total movement mm	Visible width of profile mm	Total width of profile mm	Installation height mm	*Load capacity lorries (DIN1072) kN	*Load capacity fork lift trucks (DIN1055) kN
FP 135/3000	120	34 +/-17	140	275	30	30	not allowed
FP 135/4000	120	34 +/-17	140	275	40	30	not allowed
FP 135/5000	120	34 +/-17	140	275	50	30	not allowed
FP 135/6500	120	34 +/-17	140	275	65	30	not allowed
FP 135/7500	120	34 +/-17	140	275	75	30	not allowed
FP 135/8500	120	34 +/-17	140	275	85	30	not allowed

Larger installation heights on request

*not designed for permanent use

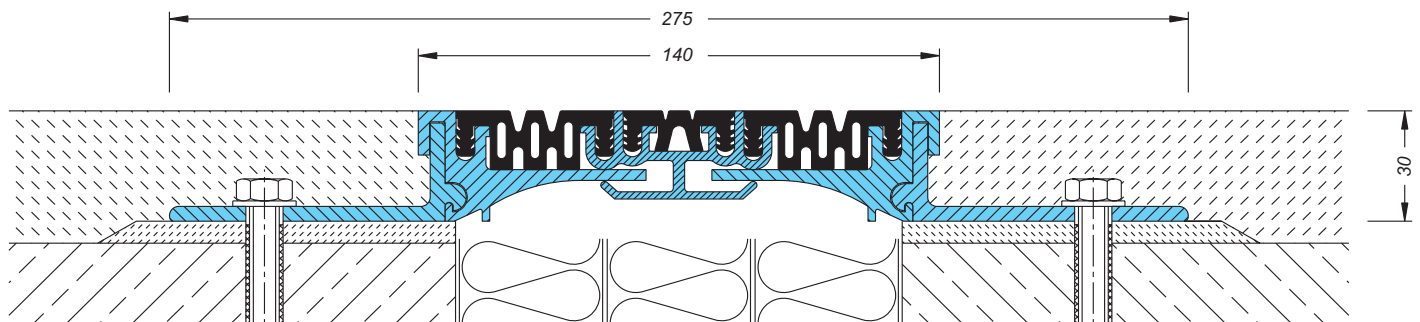
MATERIAL

Aluminium side plates with perforated mounting brackets.
Flexible high quality elastomeric insert, long wearing, weather resistant, temperature resistant (-30°C to + 120°C), extensively resistant to oils, acids and bitumen.

Production length: 4 m, standard colours: black, grey, light beige
Corner versions: page 36–37
Installation instructions: page 39

Also available in special version **FPG 135/...** with smooth insert. Standard colour: grey, black. Total movement 16 mm +/-8 mm

For installation in asphalt, please ask for our technical advice.



FP 135/3000

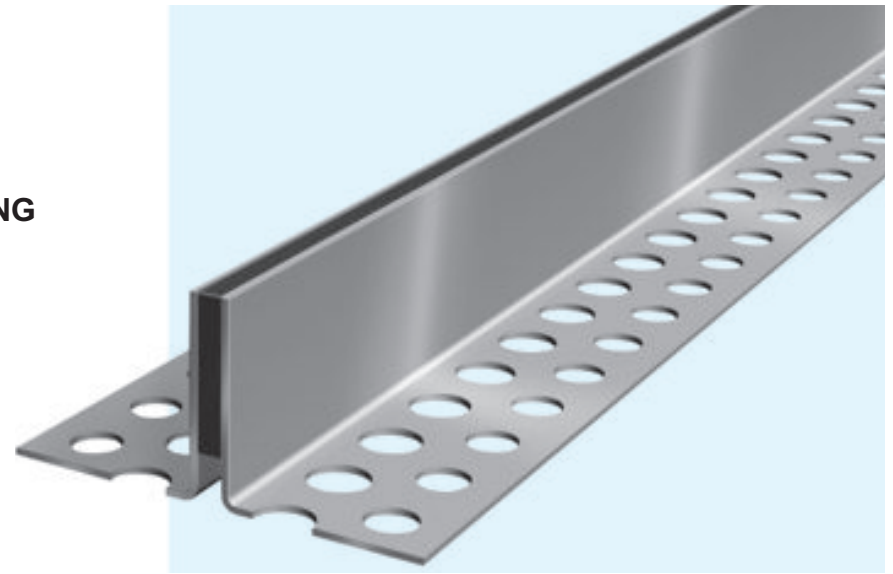
Scale 1 : 2

SERIES ESF 8/...ES - STAINLESS STEEL • ESF 9/...ZK - ALUMINIUM

FOR FLOORS WITH CONTRACTION JOINTS AND SOUND INSULATION

MIGUA

- **SECURE FIXING IN SCREED BY PERFORATED MOUNTING BRACKETS**
- **EXTRA SOUND INSULATION CAN BE OBTAINED BY INSTALLING INSULATION MATERIAL AS A JOINT FILLER**
- **VISIBLE WIDTH OF PROFILE 8 MM ONLY (STAINLESS STEEL) 9 MM ONLY (ALUMINIUM)**



TECHNICAL DATA

Profile	Joint width max. mm	Total movement mm	Visible width of profile mm	Total width of profile mm	Installation height mm	Load capacity lorries (DIN 1072) kN	Load capacity fork lift trucks (DIN 1055) kN
STAINLESS STEEL							
ESF 8/30 ES	5	2 +/-1	8	85	30	300	35
ESF 8/35 ES	5	2 +/-1	8	85	35	300	35
ESF 8/40 ES	5	2 +/-1	8	85	40	300	35
ESF 8/50 ES	5	2 +/-1	8	85	50	300	35
ALUMINIUM							
ESF 9/30 ZK	5	2 +/-1	9	85	30	300	35
ESF 9/40 ZK	5	2 +/-1	9	85	40	300	35
ESF 9/50 ZK	5	2 +/-1	9	85	50	300	35

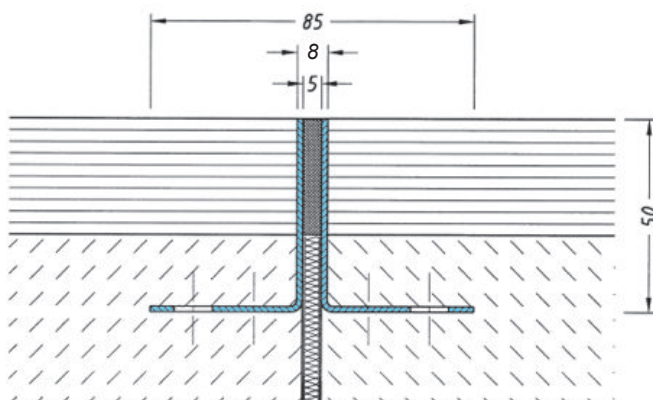
MATERIAL

Solid stainless steel side plates, material 1.4301 (alloy 304) respectively aluminium side plates with perforated mounting brackets, Flexible (cellular rubber) insert

Production length: 3 m
Standard colour: grey, Special colour: black

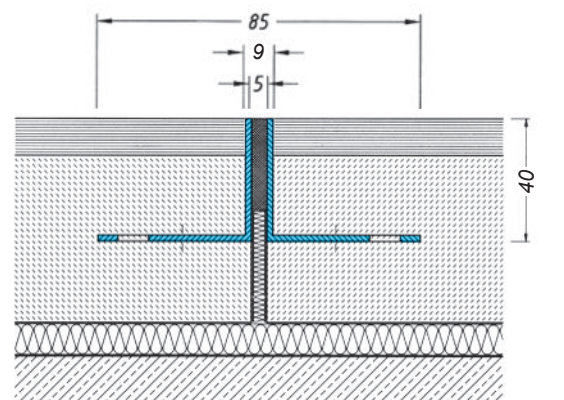
Installation instructions: page 38

Other heights and dimensions on request



ESF 8/50 ES

Scale 1 : 2



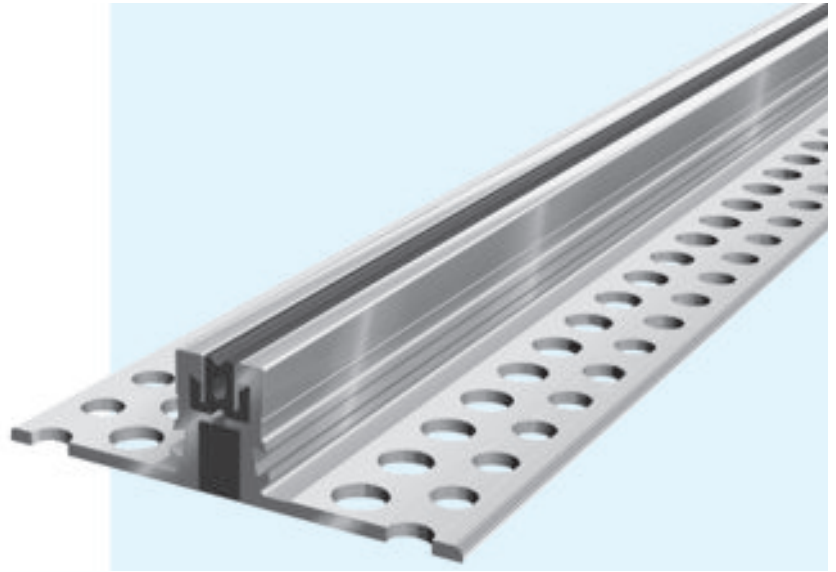
ESF 9/40 ZK

SERIES ESF 22/...NI WITH CAPPINGS MADE OF STAINLESS STEEL

FOR CONTRACTION JOINTS IN HEAVY DUTY FLOORS

MIGUA

- HIGH LOAD RESISTANCE
SOLID CONSTRUCTION
- SECURE FIXING IN SCREED
BY PERFORATED MOUNTING
BRACKETS
- POSITIVE CONNECTION OF
PRODUCTION LENGTH BY
MEANS OF SLIDE-IN ANCHORS



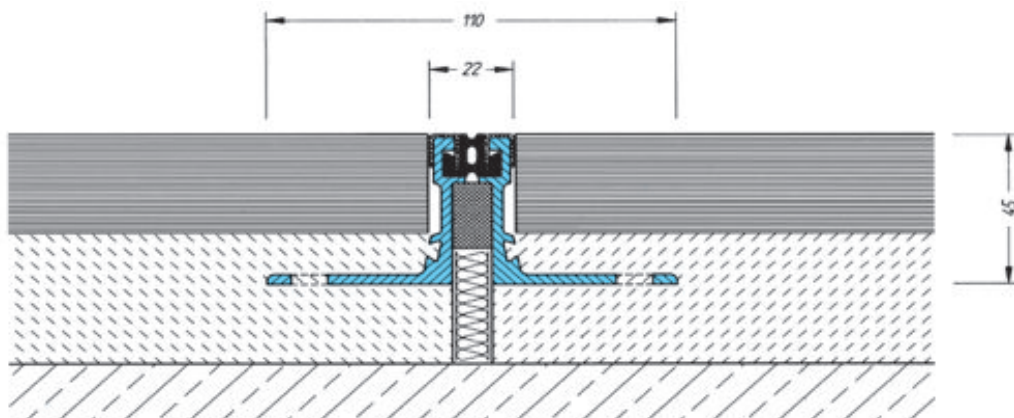
TECHNICAL DATA

Profile	Joint width max. mm	Total movement mm	Visible width of profile mm	Total width of profile mm	Installation height mm	Load capacity lorries (DIN 1072) kN	Load capacity fork lift trucks (DIN 1055) kN	Load capacity solid plastic tyres kg/mm width of wheel								
ESF 22/18 Ni	12	4 +/-2	22	110	18	600	130	11								
ESF 22/30 Ni	12	4 +/-2	22	110	30	600	130	11								
ESF 22/45 Ni	12	4 +/-2	22	110	45	130	11	ESF 22/60 Ni	12	4 +/-2	22	110	60	600	130	11
ESF 22/60 Ni	12	4 +/-2	22	110	60	600	130	11								

MATERIAL

Aluminium side plates with perforated aluminium mounting brackets
 The aluminium surfaces remaining visible after installation are provided with a rolled-on "U" shaped protection profile made of stainless steel
 Flexible high quality elastomeric insert, long wearing, weather resistant, temperature resistant (-30°C to +120°C), extensively resistant to oils, acids and bitumen

Production length: 4 m
 Standard colours: black, grey



ESF 22/45 NI

Scale 1 : 2

MIGUA

SERIES FN(G) 20/12, FKN 20/12, FTN 20/12

FOR FLOORS – SURFACE FIXING

MIGUA

- INSERT REPLACEABLE AT ANY TIME
- PROFILE FKN 20/12 3 MM HIGH UPSTAND CAN BE WELDED TO PVC-COVERINGS
- PROFILE FTN 20/12 5 MM HIGH UPSTAND HIGH QUALITY ELASTOMERIC INSERT IN CONJUNCTION WITH CARPETS
- PROFILE FNG 20/12 WITH SMOOTH INSERT



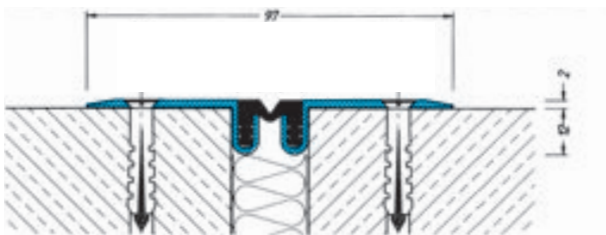
TECHNICAL DATA

Profil	for PVC coverings mm thickness	for carpets mm thickness	Joint width min. mm	Total movement mm	Visible width of Profile mm	Installation Depth mm	Thickness of alu side plates mm	Load capacity mm
FN 20/12	–	–	20	5 +3/-2	97	12	2	Pedestrians,
FKN 20/12	3	–	20	5 +3/-2	17	12	2	light vehicles
FTN 20/12	–	5	20	5 +3/-2	17	12	2	on request
FNG 20/12	–	–	20	2 +1/-1	97	12	2	

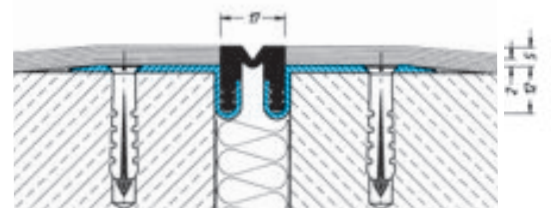
MATERIAL

Aluminium side plates with flexible high quality elastomeric insert, long wearing, weather resistant, temperature resistant (-30°C to +120°C), extensively resistant to oils, acids and bitumen
Profile FKN 20/12 with insert made of modified PVC, can be welded to PVC-coverings

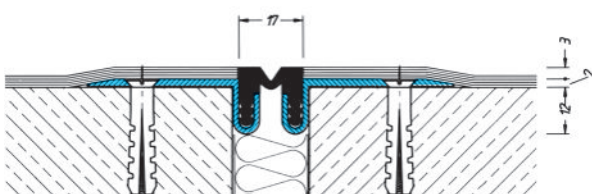
Production length: 4 m
Standard colour: grey, FN 20/12 and FTN 20/12 also black
Corner versions: page 36



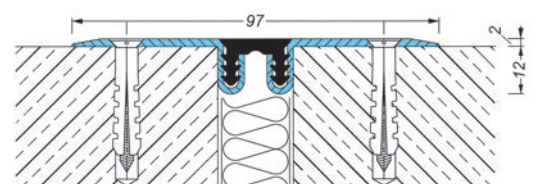
FN 20/12



FTN 20/12



FKN 20/12



FNG 20/12

Scale 1 : 2

SERIES FN(G) 35/15, FKN 35/15, FTN 35/15, FN(G) 41/15

FOR FLOORS – SURFACE FIXING

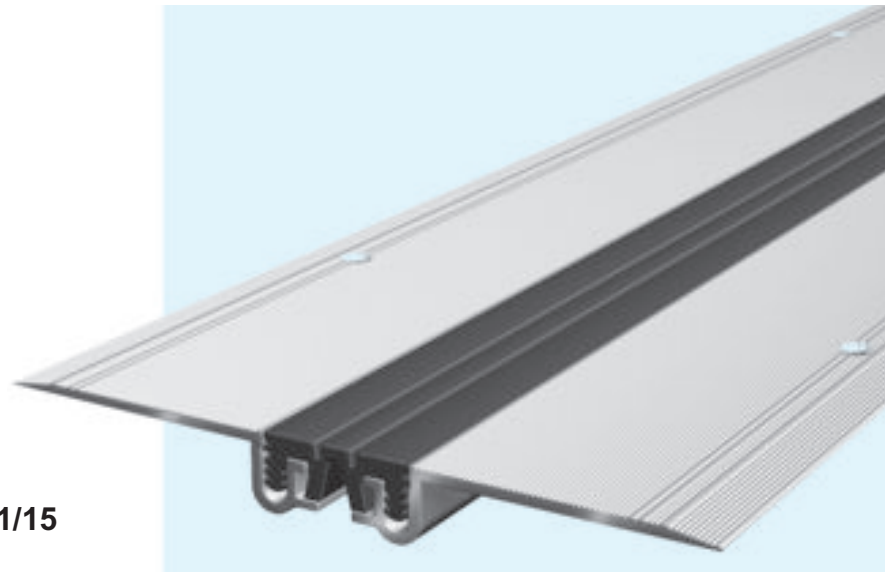
MIGUA

■ **INSERT REPLACEABLE AT ANY TIME**

■ **PROFILE FKN 35/15
3 MM HIGH UPSTAND CAN BE WELDED TO PVC-COVERINGS**

■ **PROFILE FTN 35/15
5 MM HIGH UPSTAND
HIGH QUALITY ELASTOMERIC INSERT IN CONJUNCTION WITH CARPETS**

■ **PROFILES FNG 35/15 AND FNG 41/15 WITH SMOOTH INSERT**



TECHNICAL DATA

Profile	for PVC-coverings mm thickness	for carpets mm thickness	Joint width min. mm	Total movement mm	Visible width of Profile mm	Installation depth mm	Thickness of- alu side plates mm	Load capacity
FN 35/15	–	–	35	10 +/-5	112	13	2	Pedestrians,
FKN 35/15	3	–	35	10 +/-5	30	13	2	light vehicles
FTN 35/15	–	5	35	10 +/-5	30	13	2	on request
FNG 35/15	–	–	35	6 +/-3	112	13	2	
FN 41/15	–	–	41	14 +/-7	118	13	2	
FNG41/15	–	–	41	6 +/-3	118	13	2	

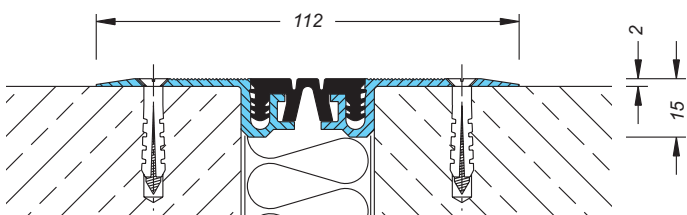
MATERIAL

Aluminium side plates with flexible high quality elastomeric insert, long wearing, weather resistant, temperature resistant (-30°C to +120°C), extensively resistant to oils, acids and bitumen
Profile FKN 35/15 with insert made of modified PVC, can be welded to PVC-coverings

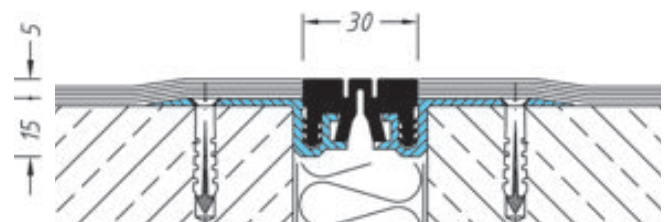
Production length: 4 m

Standard colours: black, grey, beige, brown (not standard for FTN 35/15 and series 41/15)

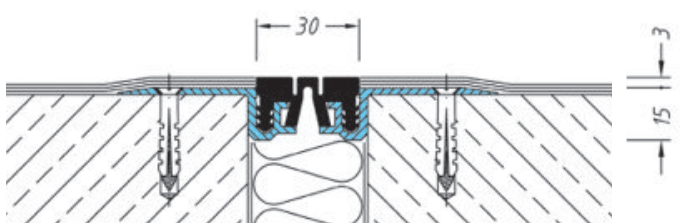
Corner versions: page 36



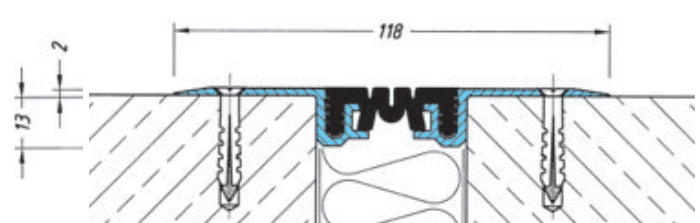
FN 35/15



FTN 35/15



FKN 35/15



FN 41/15

Scale 1 : 2

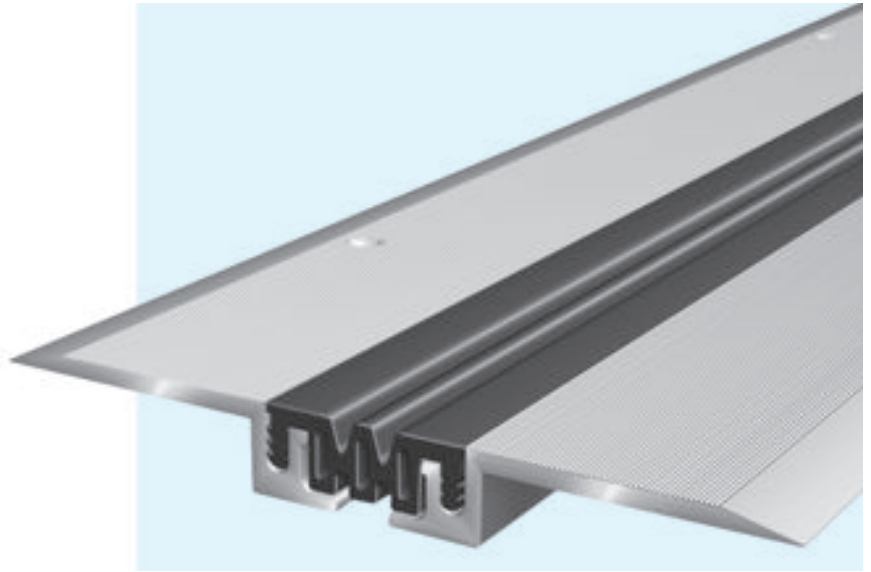
MIGUA

SERIES FN(G) 50/20, FN 58/20, FN 65/20, FN 90/20

FOR FLOORS – SURFACE FIXING

MIGUA

- INSERT REPLACEABLE AT ANY TIME
- PROFILE ABSORBS SETTLEMENTS
- HIGH LOAD RESISTANCE OF FLEXIBLE HIGH QUALITY ELASTOMERIC INSERT DUE TO CENTRE SUPPORT



TECHNICAL DATA

Profile	Joint width min. mm	Total movement mm	Width of insert mm	Total width of profile mm	Installation depth mm	Thickness of alu side plates mm	Load capacity
FN 50/20	50	16 +/- 8	43	170	16	3	Pedestrians,
FN 58/20	60	22 +/- 11	51	178	16	3	light vehicles
FN 65/20	65	25 +/- 16/- 9	56	185	18	4	on request
FN 90/20	90	30 +/- 18/- 12	80	210	18	4	

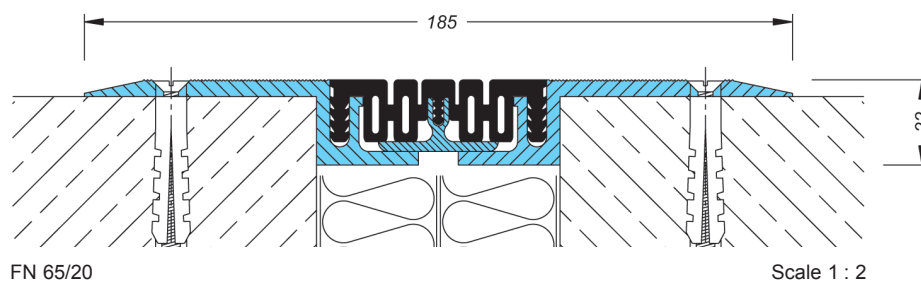
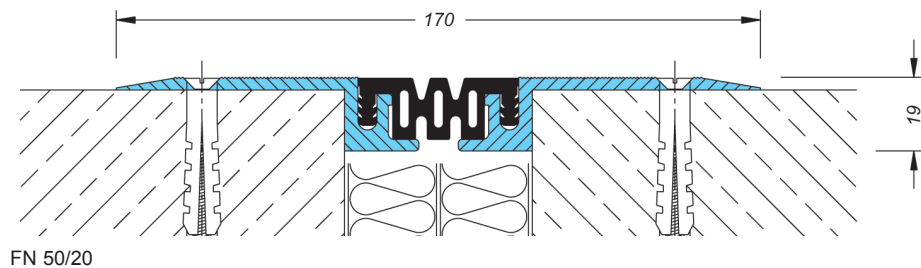
MATERIAL

Aluminium side plates with flexible high quality elastomeric insert, long wearing, weather resistant, temperature resistant (-30°C to +120°C), extensively resistant to oils, acids and bitumen.
Production length: 4 m

Standard colours: black, grey, Profiles FN 50/20 and FN 58/20 additionally beige. Corner versions: page 36–37

The profile FN 50/20 is also available with a 3 mm high upstanding insert as **FKN 50/20** or with a smooth insert as **FNG 50/20** (total movement 8 mm +/- 4 mm).

Standard colours: FKN 50/20 = black, FNG 50/20 = black, grey

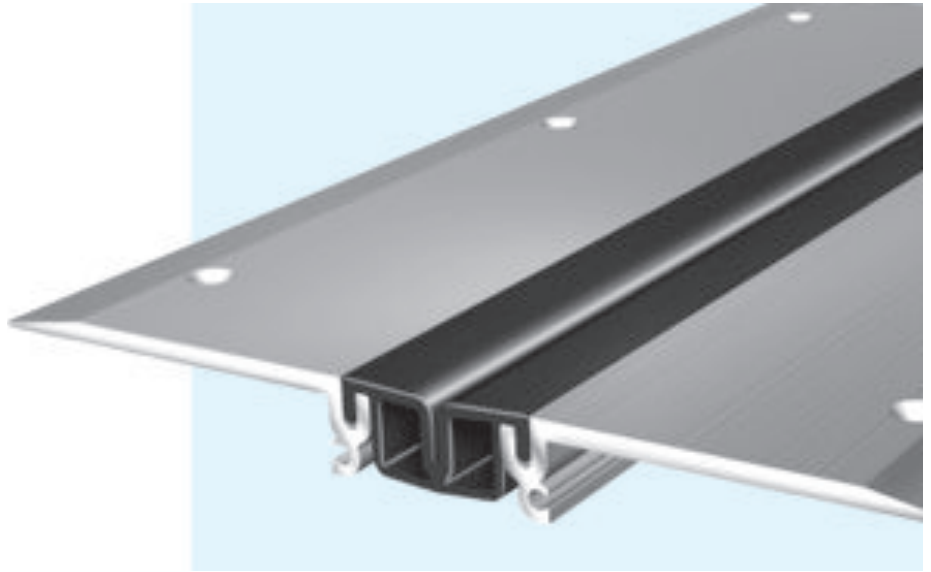


MIGUA

SERIES FN 110/30
FOR FLOORS – SURFACE FIXING

MIGUA

- INSERT REPLACEABLE AT ANY TIME
- MOVEMENT CAPACITY UP TO 60 MM
- PROFILE ABSORBS MOVEMENTS IN THREE DIRECTIONS
- JOINT WIDTH 75 MM



TECHNICAL DATA

Profile	Joint width mm	Total movement mm	Visible width of profile mm	Total width of profile mm	Installation depth mm	Thickness of alu side plates mm	Load capacity private cars KN
FN 110/30	75	60 +/- 30	318	318	40	6,3	35

MATERIAL

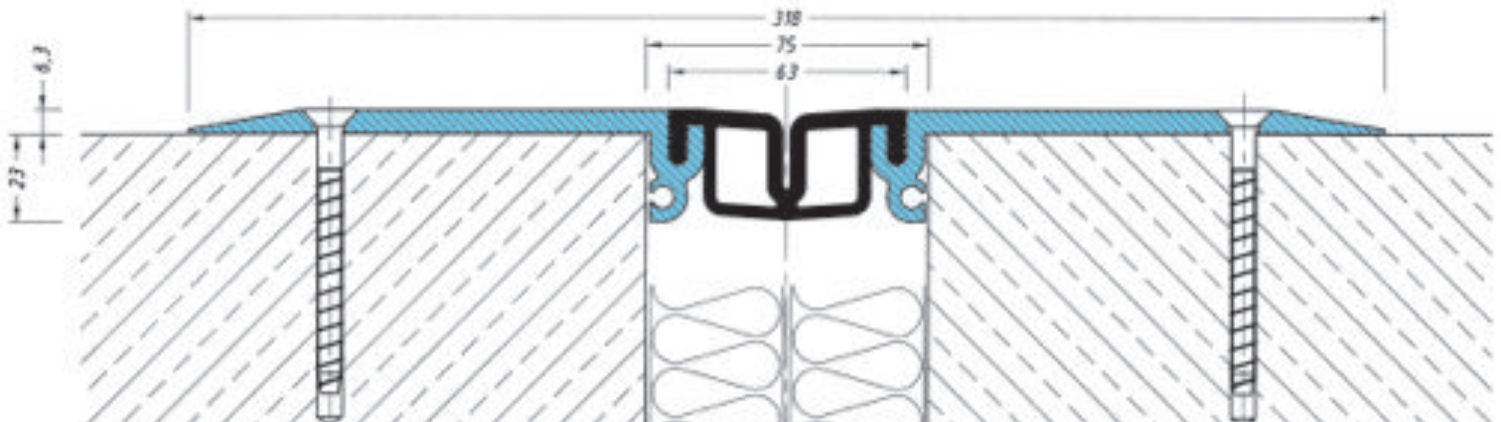
Aluminium side plates with flexible quality elastomeric insert, long wearing, weather resistant, temperature resistant (-30°C bis +120°C), extensively resistant to oils, acids and bitumen, with insert made of modified MIGUFLEX.

Production length: 4 m
Colour: black

Corner version E4 available. Details on request.

Installation Instructions:

To adjust every slight unevenness the profile has to be glued by Epoxy, e.g.: Reckli-Adhesive EP. After that the aluminium angles need to be fixed on both sides with stainless steel screws, e.g.: Multi Monti Screws MMS-F 7,5 ES for concrete in a distance of 200 mm each or equal.



FN 110/30

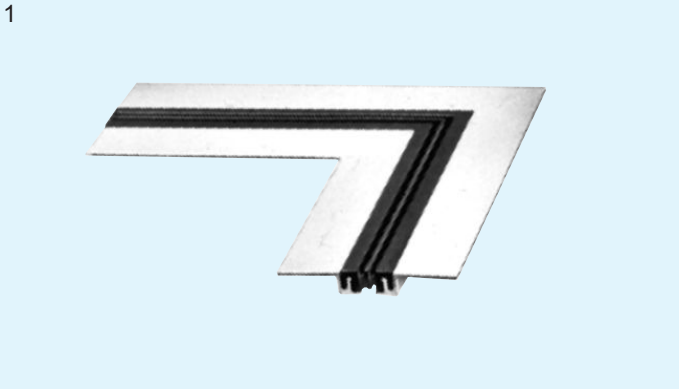
Scale 1 : 2

TRANSITIONS

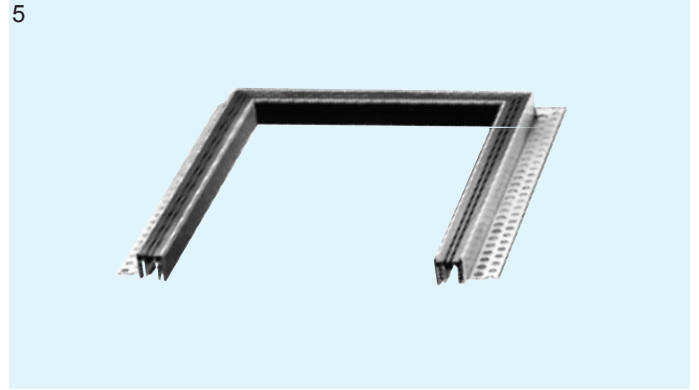
EXAMPLES

MIGUA

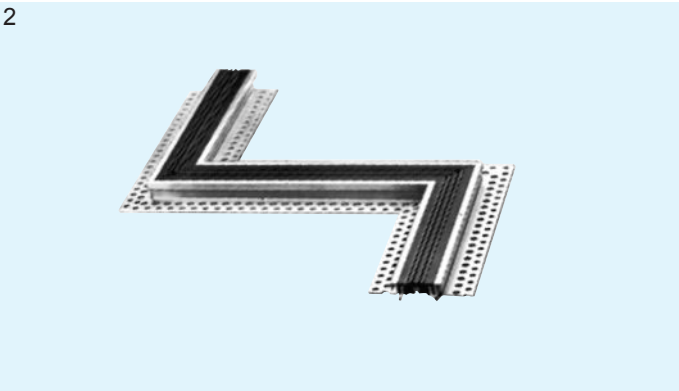
1



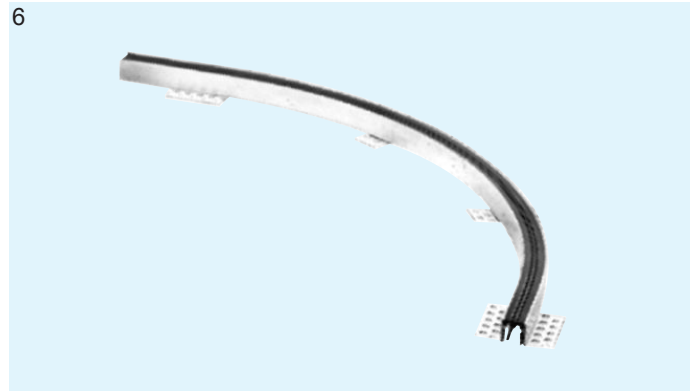
5



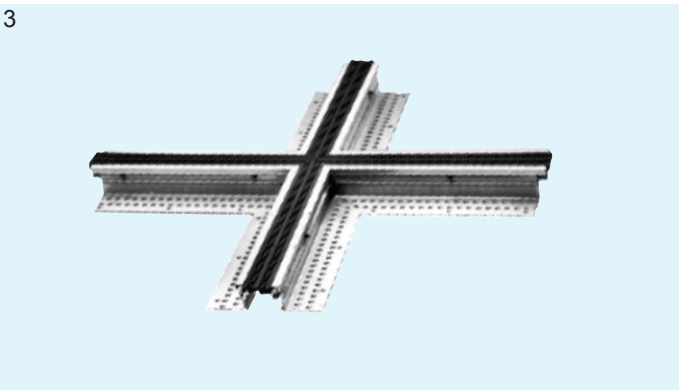
2



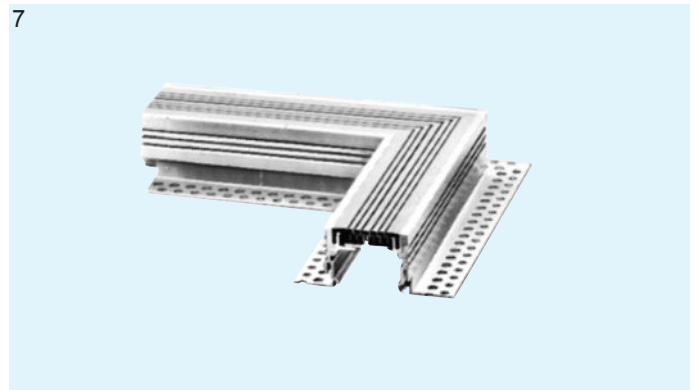
6



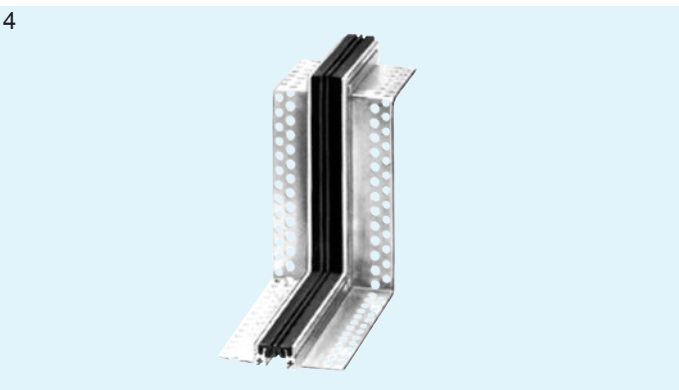
3



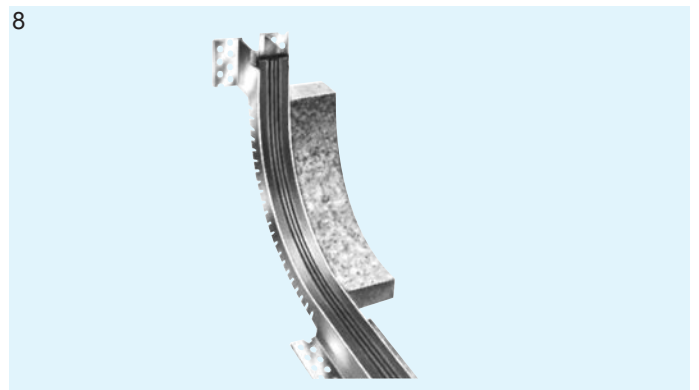
7



4



8

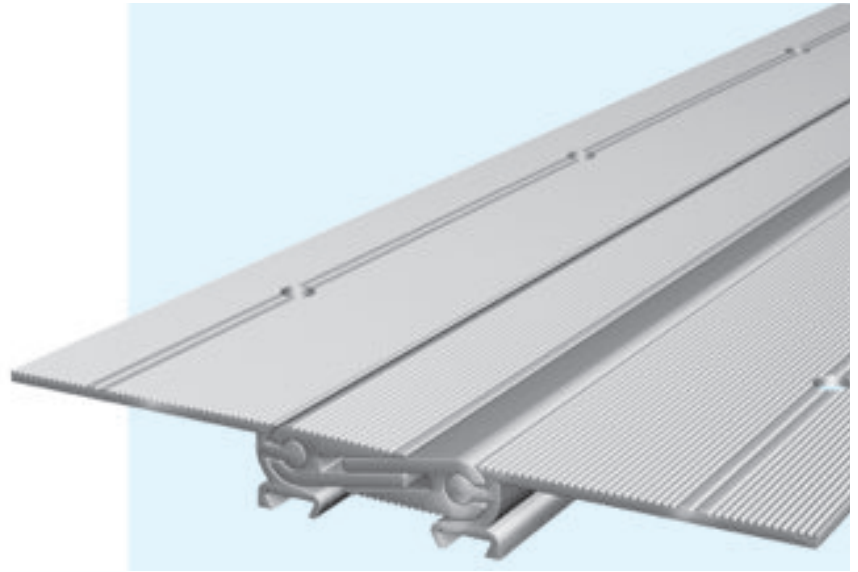


SERIES FSN 50/15

FOR FLOORS – SURFACE FIXING

MIGUA

- **VISIBLE SURFACE WITHOUT ANY GAPS TO AVOID DIRT ACCUMULATION**
- **PROFILE ABSORBS MOVEMENTS IN THREE DIRECTIONS**
- **GOOD SKID RESISTANCE GIVEN BY STRIATED SURFACE**



TECHNICAL DATA

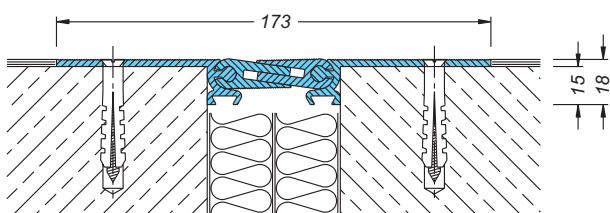
Profile	Joint width min. mm	Total movement mm	Visible width of profile mm	Total width of profile mm	Installation depth mm	Thickness of alu side plates mm	Load capacity
FSN 50/15	55	10 +/- 5	173	173	15	3	Pedestrians, light vehicles on request

MATERIAL

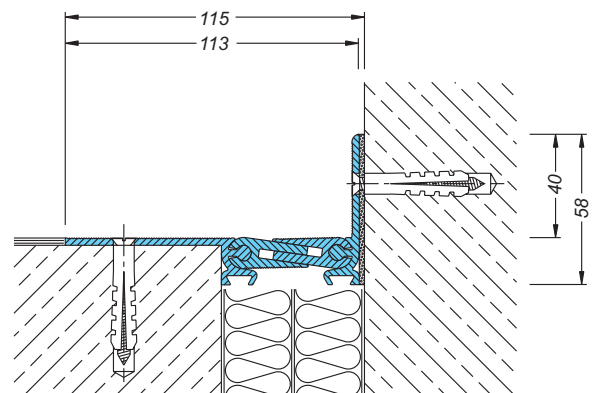
Aluminium cover profiles with striated top surface

Production length: 4 m
Colour: aluminium

Also available as **FSN 99/20** for joint width 100 mm and total movement 40 mm +/- 20 mm. Details on request.



FSN 50/15



FSN 50/15 E4

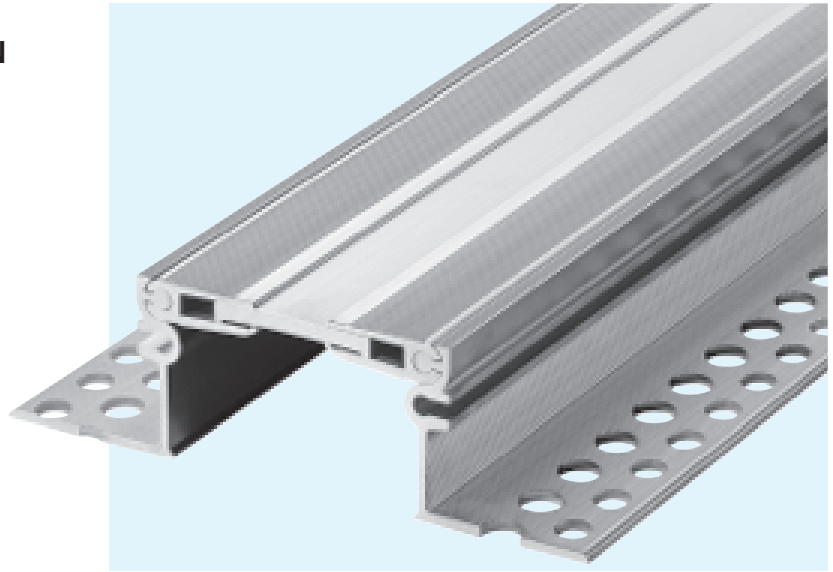
Scale 1 : 3

SERIES FS 99/...

FOR FLOORS WITH LARGE MOVEMENTS – ALL-METAL PROFILE TO BE USED BY PRIVATE CARS AND PEDESTRIANS

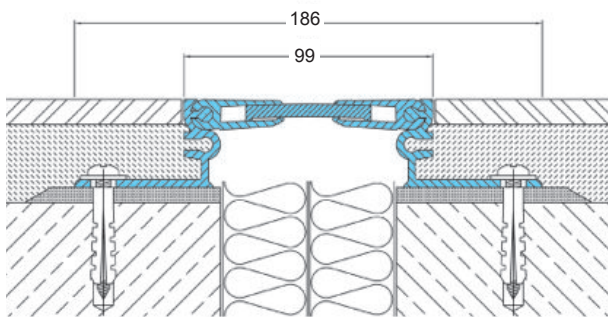
MIGUA

- **VISIBLE SURFACE WITHOUT ANY GAPS TO AVOID DIRT ACCUMULATION**
- **SYMMETRICAL TOP VIEW**
- **SMOOTH TRANSITION – NO-BUMP**
- **PROFILE ABSORBS MOVEMENTS IN THREE DIRECTIONS**
- **GOOD SKID RESISTANCE GIVEN BY STRIATED SURFACE**
- **MOVEMENT CAPACITY 40 MM**
- **FOR JOINT WIDTHS UP TO 70 MM**



TECHNICAL DATA

Profile	Joint width max. mm	Total movement mm	Visible width of profile mm	Total width of profile mm	Installation height mm	Load capacity private cars kN
FS 99/2000	70	40 +/-20	99	186	20	12
FS 99/3500	70	40 +/-20	99	186	35	12
FS 99/5000	70	40 +/-20	99	186	50	



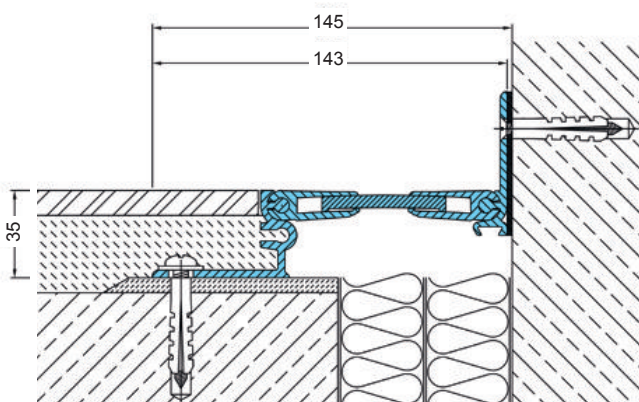
FS 99/3500

MATERIAL

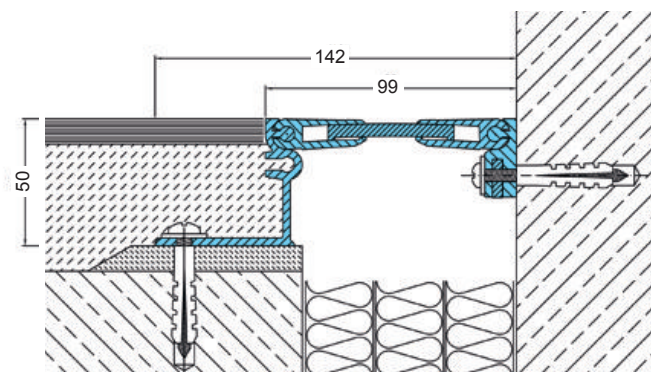
Aluminium cover profiles with striated top surface and perforated mounting brackets.

Production length: 4 m
Colour: aluminium

Installation instructions: page 39



Corner-Version FS 99/3500 E4



Corner-Version FS 99/5000 E3

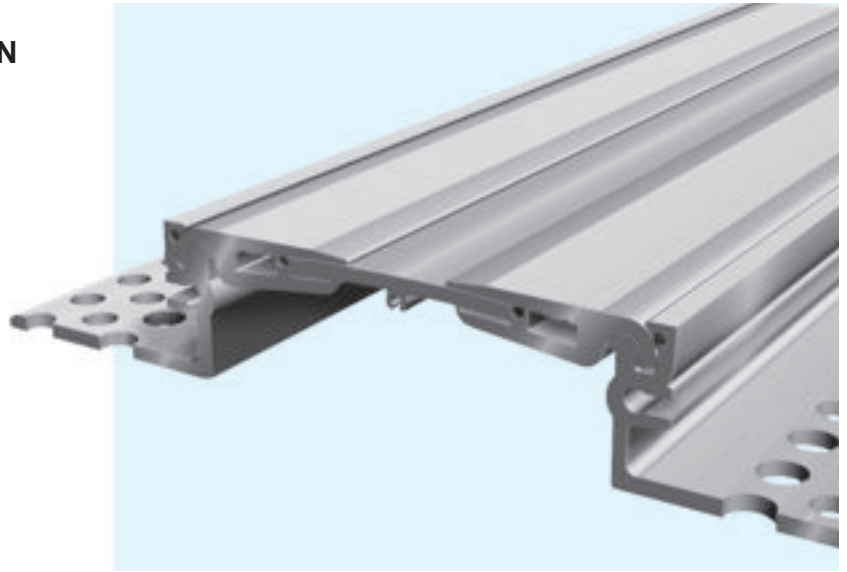
Scale 1 : 3

SERIES FS 146/...

FOR FLOORS WITH LARGE MOVEMENTS – ALL METAL PROFILE TO BE USED BY PRIVATE CARS AND PEDESTRIANS

MIGUA

- **VISIBLE SURFACE WITHOUT ANY GAPS TO AVOID DIRT ACCUMULATION**
- **SYMMETRICAL TOP VIEW**
- **SMOOTH TRANSITION – NO-BUMP**
- **PROFILE ABSORBS MOVEMENTS IN THREE DIRECTIONS**
- **GOOD SKID RESISTANCE GIVEN BY STRIATED SURFACE**
- **MOVEMENT CAPACITY 50 MM**
- **FOR JOINT WIDTHS UP TO 114 MM**



TECHNICAL DATA

Profile	Joint width max. mm	Total movement mm	Visible width of profile mm	Total width of profile mm	Installation height mm	Load capacity private cars kN
FS 146/2200	114	50 +/-25	146	262	22	12
FS 146/3000	114	50 +/-25	146	262	30	12
FS 146/4200	114	50 +/-25	146	266	42	12
FS 146/5200	114	50 +/-25	146	266	52	12
FS 146/6200	114	50 +/-25	146	266	62	12
FS 146/7700	114	50 +/-25	146	268	77	12
FS 146/8700	114	50 +/-25	146	268	87	12
FS 146/9700	114	50 +/-25	146	268	97	12

Larger installation heights on request

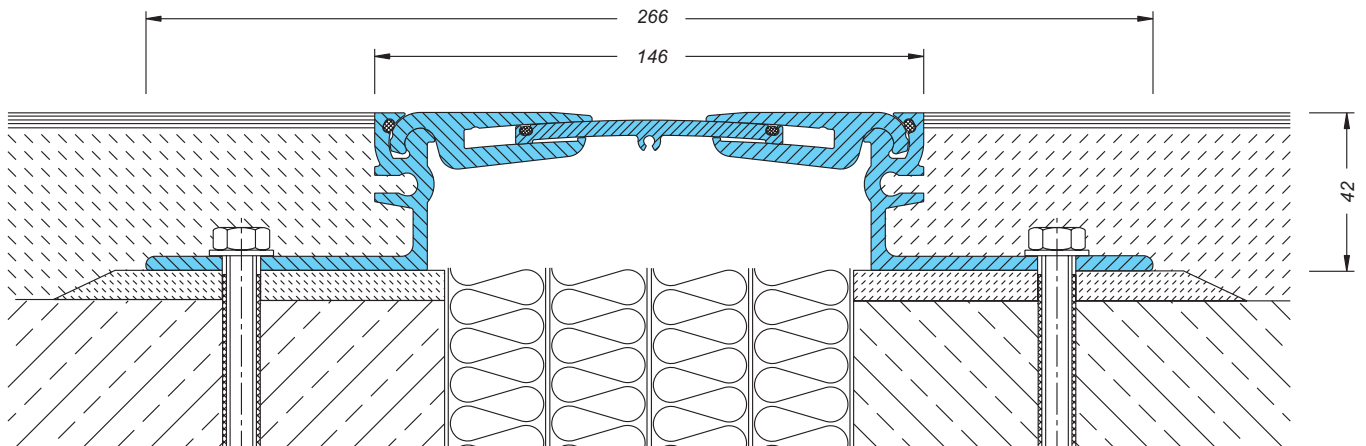
MATERIAL

Aluminium cover profiles with striated top surface and perforated mounting brackets.

Production length: 4 m
Colour: aluminium

Installation instructions: page 39

Corner Versions E3 and E4 available; visible width of profile 150 mm.



FS 146/4200

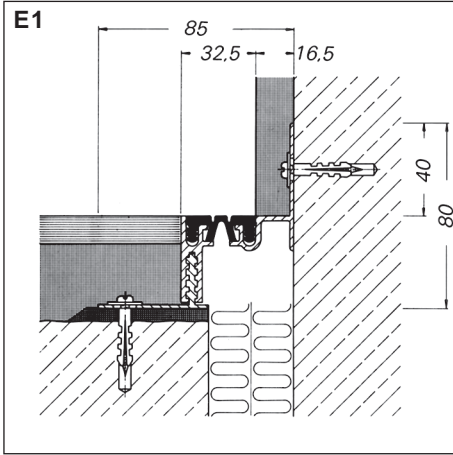
Scale 1 : 2

FLOOR/WALL-CONNECTIONS

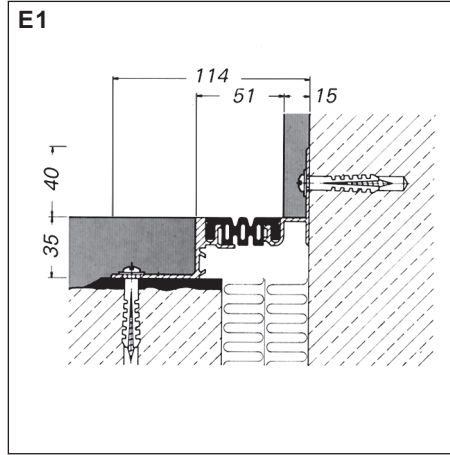
CORNER-VERSIONS

MIGUA

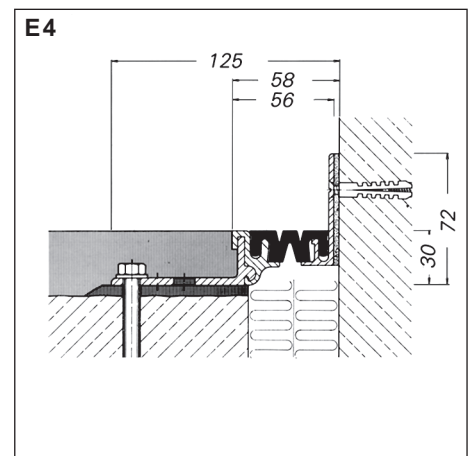
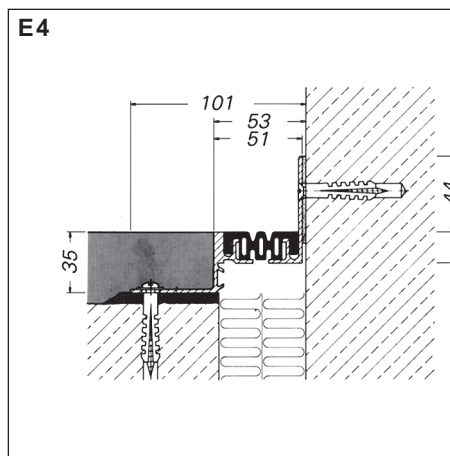
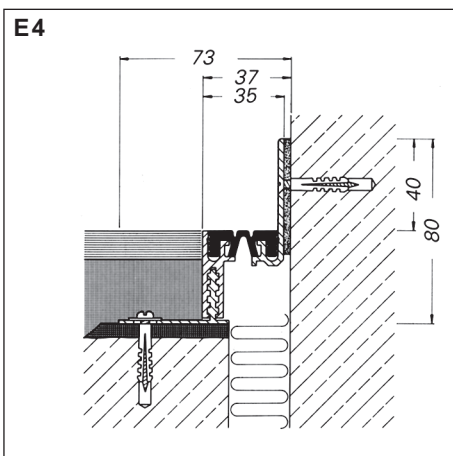
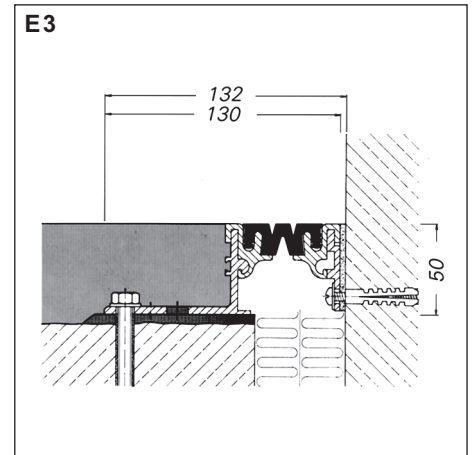
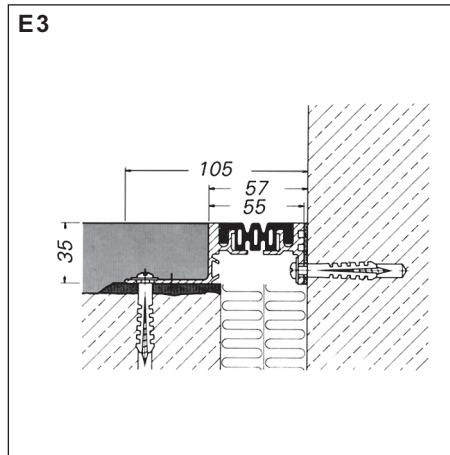
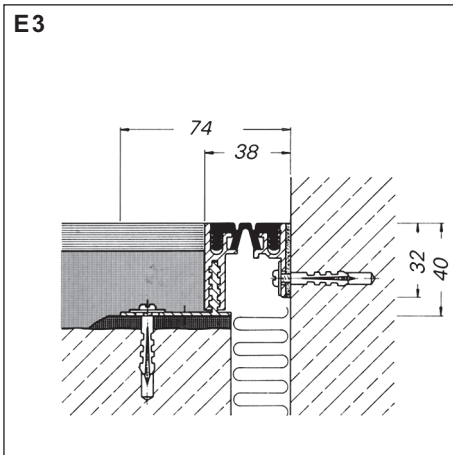
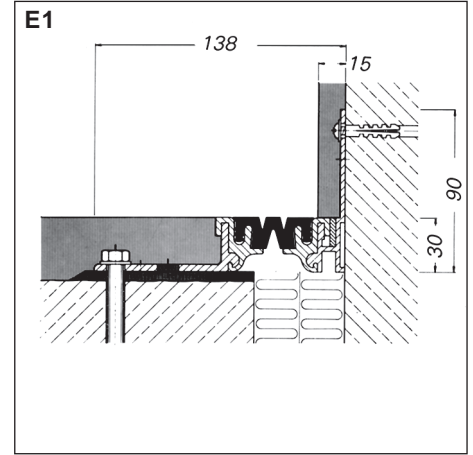
SERIES
FL 21/..., FV 35/..., FV 41/...



SERIES
FP 55/..., FP 55/...4S, FP 55/...MS/NI



SERIES
FP 60/..., FP 60/...MS/NI



Example of SERIES FV 35/...
Page 4

Example of SERIES FP 55/...
Page 15

Example of SERIES FP 60/...
Page 19

These corner-versions are also available for Series FK.../..., FT.../..., FG.../... and FPG 55/...

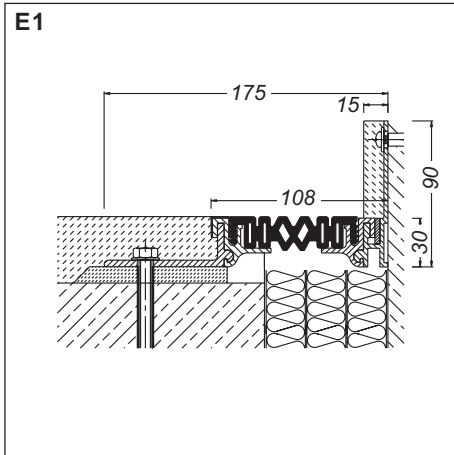
MIGUA

FLOOR/WALL-CONNECTIONS

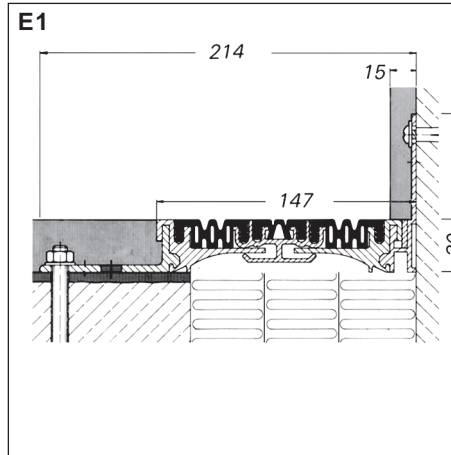
CORNER-VERSIONS

MIGUA

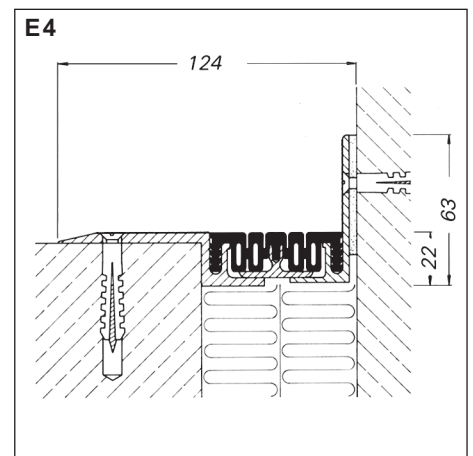
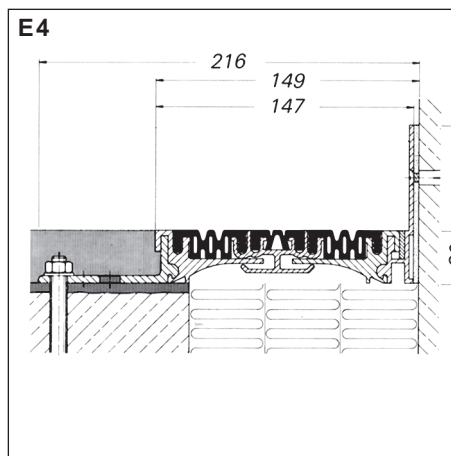
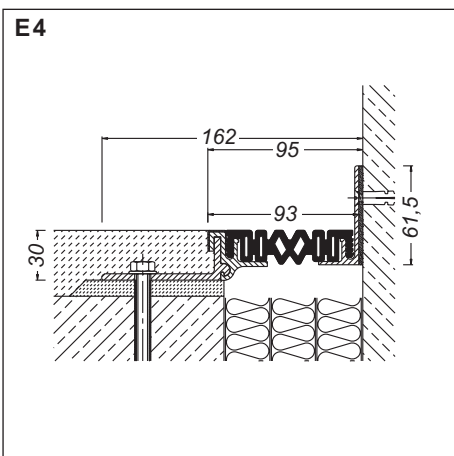
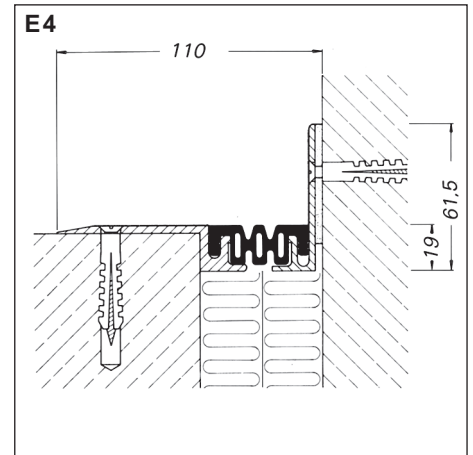
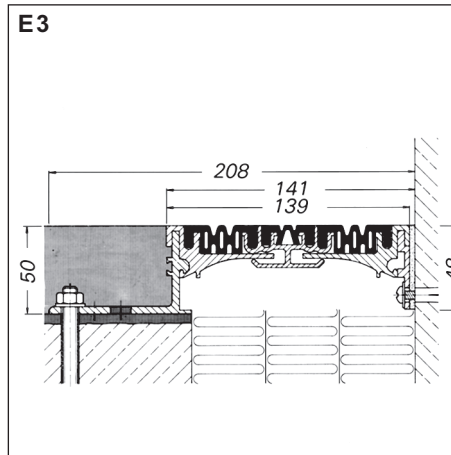
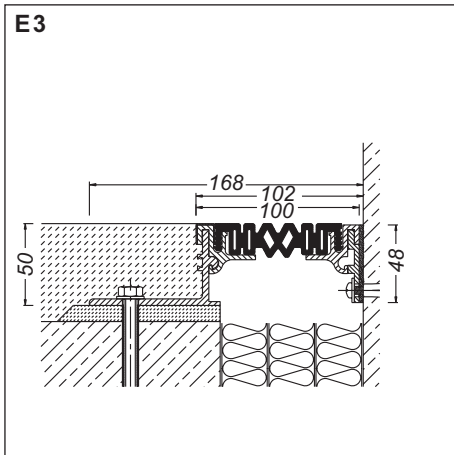
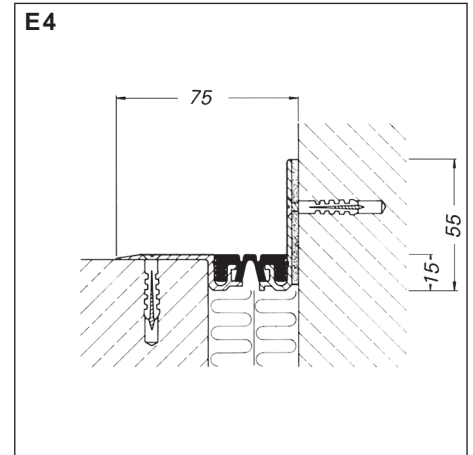
SERIES
FP 70/..., FP 100/... NI, FPO 116/...



SERIES
FP 135/...



SERIES
FN 20/35/41/50/58/65/90



Example of SERIES FP 100/.. NI
Page 24

Example of SERIES FP 135/...
Page 25

Example of SERIES FN 35/50/65
Page 33–36

These corner-versions are also available for Series FP 70/...NI, FP 100/...NI, FNG.../..., FKN.../... and FTN.../...

INSTALLATION INSTRUCTIONS

MIGUA

CONTRACTION JOINT PROFILES

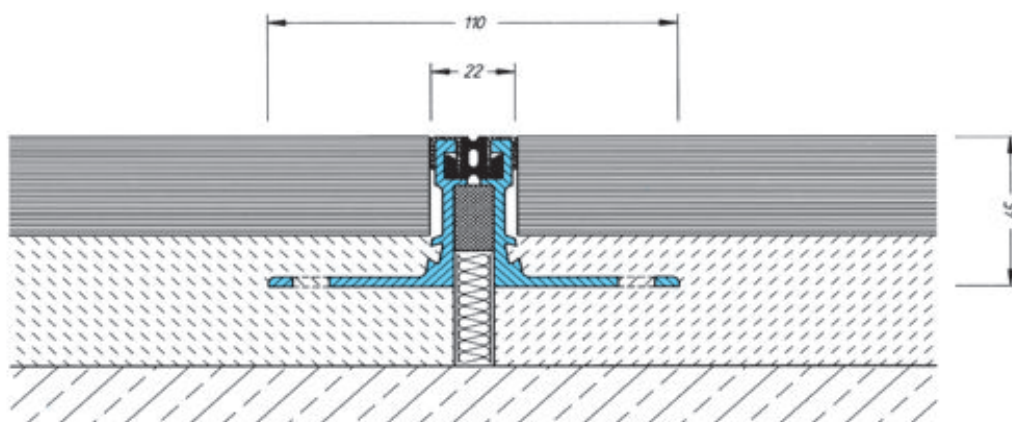
Example SERIES ESF 22/... NI

A 12 mm thick joint filler strip must be placed between the aluminium mounting brackets. The height of the joint filler depends on the overall height required, but it must be sufficient to ensure that the screed is completely separated at the joint locations. This strip also helps levelling the profile. The perforated legs of the profile are pressed into the first fresh layer of mortar or screed and levelled.

Then more screed is applied. Depending on the thickness of the floor finish (measured from top edge of profile) the ESF profile must oversail the screed to suit.

If profiles are installed in magnesite floors and/or in wet areas (canteen kitchens, sanitary rooms, etc.), we recommend the use of stainless steel profiles ES.

Please send us your enquiry.



ESF 22/45 NI

FOR FLOATING FLOOR FINISHES SERIES FV, FK, FT, FG

For floating floor finishes, the profiles are installed after the insulation sheets have been placed.

The perforated mounting brackets of the profiles are pressed into the first fresh layer of screed. Then more screed is applied.

The thickness of screed below the profiles must be at least 20 mm, which guarantees that the screed will not break off under load.

The perforated mounting brackets ensure secure fixing. This method of installation avoids the transmission of sound.

For floating floor finishes, our profiles of series FT 35/... and FK 35/... are particularly recommended as a carpet and/or PVC-floor covering is usually laid on the screed later on.

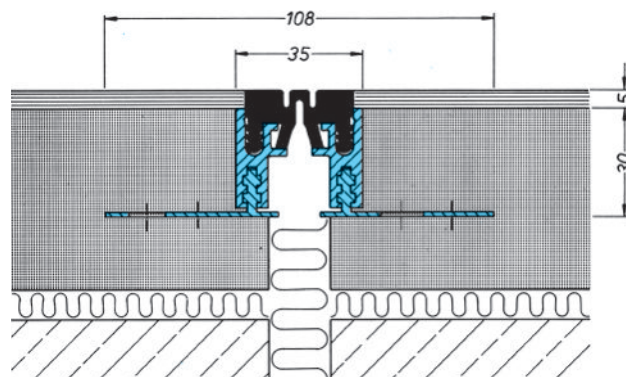
These profiles are supplied with a flush mounted distance insert. The top edge of the aluminium profile can be used as a screeding guide.

The distance insert protects the profile until the finish is laid. So the aluminium profiles are flush with the screed and cannot be damaged by site traffic.

When carpets are to be glued, the carpet must slightly overlap the distance insert. The excess is cut off after glueing, using the inner edge of the aluminium as a guide.

Care must be taken to ensure glue is kept away from the aluminium profiles.

The distance insert is removed and replaced with either the FT or FK insert. Water or a mild detergent solution may be used to lubricate the insert to facilitate installation.



A steel roller may be used to assist installation. Do not use a hammer which may loosen the mounting brackets.

If profiles are installed in magnesite floors and/or in wet areas (canteen kitchens, sanitary rooms, etc.), we recommend the use of stainless steel profiles. Please see page 8 to 14 Series ES 20/..., ES 33/..., ES 60/....

INSTALLATION INSTRUCTIONS

MIGUA

FOR SHEETS, TILES AND COMPOSITIVE SCREED

An epoxy strip (approx. 100 mm wide) must be laid on the sub-base on both sides of the joint. Place the profile into the epoxy whilst still wet and tap gently into place until the desired level is achieved. Care must be taken that the mounting brackets are fully embedded and that there is now hollow space between them and the sub-base.

After the epoxy has hardened, the mounting brackets of the profile are to be fixed to the sub-base with screws and dowels (**in case of dynamic loads with chemical anchors, e.g. UPAT UKA 3 M 8**). Care must be taken that the profile is absolutely straight, so that the screed, tiles, or sheet flooring material will be exactly flush with the edge of the profile. Fixings are made at a distance of approx. 35 cm.

The profile will only fulfill its functions satisfactorily if the side plates are installed in such a way that no movement can occur

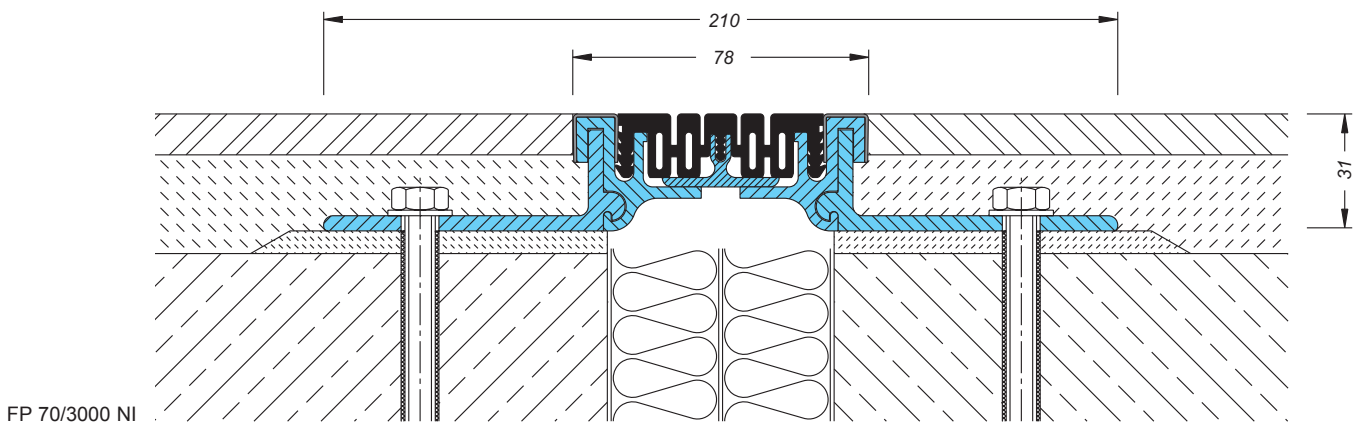
between them and the sub-base. Adjoining lengths of profile are connected by sliding the individual sections into each other or using connecting pieces (e.g. for profiles FP 55/...). Profiles with adjustable heights (e.g. FV 35/6075) are supplied set to the lowest setting if an installation height is not specified on the order.

If profiles are installed in magnesite floors and/or in wet areas (canteen kitchens, sanitary rooms, etc.), we recommend the use of stainless steel profiles.

Please see page 8 to 14 Series ES 20/..., ES 33/..., ES 60/....

On request we can supply factory produced angle-, cross- and T-pieces.

Complete systems with all required connections can be manufactured to detailed drawings in our works.



SERIES D 12/..., D 15/..., D 20/...

FOR WALLS AND CEILINGS WITH PLASTER AND TILES

MIGUA

GOOD FIXING AND ADHERENCE UNDER PLASTER

BY PERFORATED MOUNTING BRACKETS

DOUBLE PROTECTION AGAINST WATER

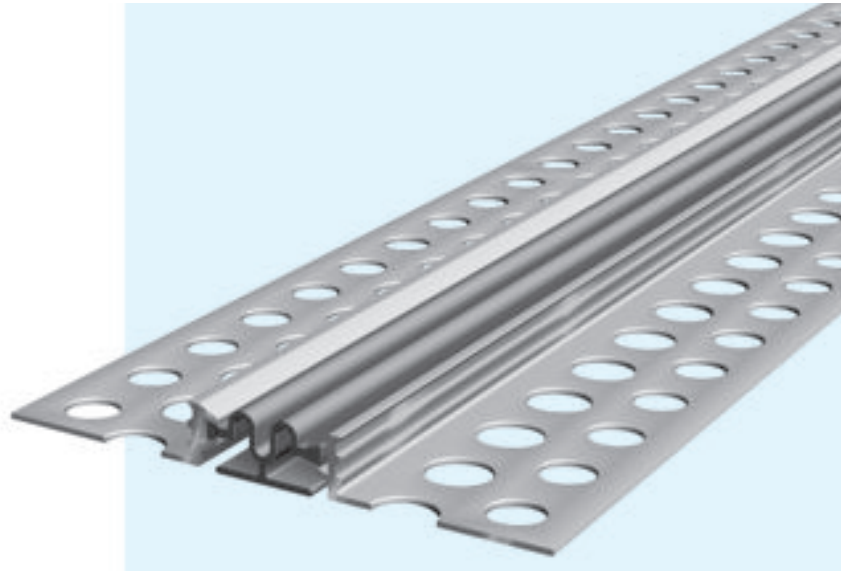
DUE TO DOUBLE SLIDING OF THE SEALING INSERT WITHIN THE METAL PROFILES

PROFILE ABSORBS LARGE MOVEMENTS

WITH FOLD INSERT

PROFILE ABSORBS SETTLEMENTS

BY SLIDING OF INSERT WITHIN THE METAL PROFILE



TECHNICAL DATA

Profile FOR STRAIGHT JOINTS	Joint width max. mm	Total movement mm	Visible width of profile mm	Total width of profile mm	Installation height mm	Profile FOR CORNER JOINTS	Joint width max. mm	Total movement mm	Visible width of profile mm	Total width of profile mm	Installation height mm
-----------------------------	---------------------	-------------------	-----------------------------	---------------------------	------------------------	---------------------------	---------------------	-------------------	-----------------------------	---------------------------	------------------------

D 12/... FOR 12 MM PLASTER

D 12/ 300	30	10 +/- 5	32	110	12	DE 12/ 400	30	10 +/- 5	22	73	12
D 12/ 500	75	40 +/- 20	75	155	12	DE 12/ 600	75	40 +/- 20	55	113	12
D 12/ 700	100	50 +/- 25	100	180	12	DE 12/ 800	100	50 +/- 25	80	138	12
D 12/ 900	150	100 +/- 50	150	230	12	DE 12/1100	150	100 +/- 50	125	188	12
D 12/1300	200	120 +/- 60	200	280	12	DE 12/1500	200	120 +/- 60	190	238	12
D 12/1400	250	180 +/- 90	250	330	12	DE 12/1600	250	180 +/- 90	220	288	12
D 12/1800	350	200 +/-100	350	430	12	DE 12/2200	350	200 +/-100	390	388	12

D 15/... FOR 15 MM PLASTER

D 15/ 300	30	10 +/- 5	32	110	15	DE 15/ 400	30	10 +/- 5	22	76	15
D 15/ 500	75	40 +/- 20	75	155	15	DE 15/ 600	75	40 +/- 20	55	114	15
D 15/ 700	100	50 +/- 25	100	180	15	DE 15/ 800	100	50 +/- 25	80	139	15
D 15/ 900	150	100 +/- 50	150	230	15	DE 15/1100	150	100 +/- 50	125	189	15
D 15/1300	200	120 +/- 60	200	280	15	DE 15/1500	200	120 +/- 60	190	239	15
D 15/1400	250	180 +/- 90	250	330	15	DE 15/1600	250	180 +/- 90	220	289	15
D 15/1800	350	200 +/-100	350	430	15	DE 15/2200	350	200 +/-100	390	389	15

D 20/... FOR 20 MM PLASTER

D 20/ 300	30	10 +/- 5	40	111	20	DE 20/ 400	30	10 +/- 5	25	81	20
D 20/ 500	75	40 +/- 20	75	160	20	DE 20/ 600	75	40 +/- 20	60	116	20
D 20/ 700	100	50 +/- 25	100	180	20	DE 20/ 800	100	50 +/- 25	85	141	20
D 20/ 900	150	100 +/- 50	150	230	20	DE 20/1100	150	100 +/- 50	130	191	20
D 20/1300	200	120 +/- 60	200	280	20	DE 20/1500	200	120 +/- 60	180	241	20
D 20/1400	250	180 +/- 90	250	330	20	DE 20/1600	250	180 +/- 90	210	291	20
D 20/1800	350	200 +/-100	350	430	20	DE 20/2200	350	200 +/-100	380	391	20

MIGUA

SERIES D 12/..., D 15/..., D 20/...
FOR WALLS AND CEILINGS WITH PLASTER AND TILES

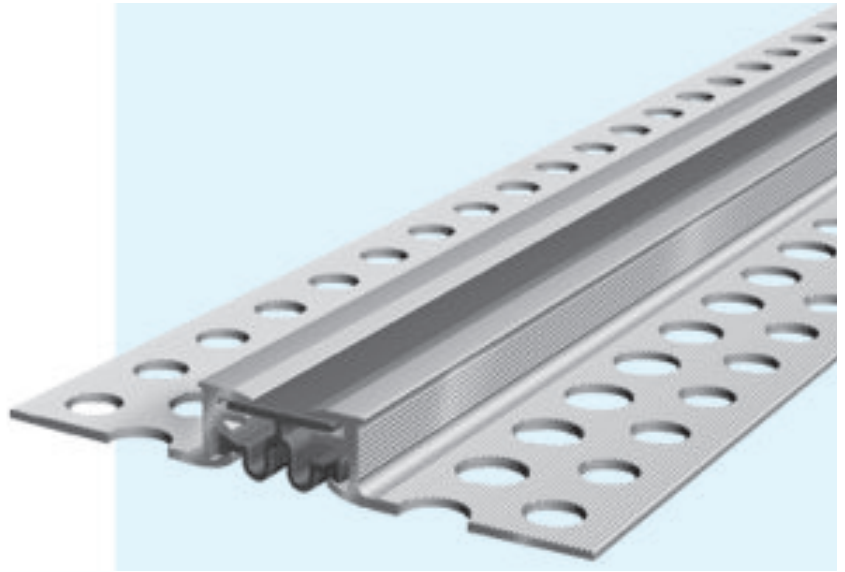
MIGUA

- **GOOD FIXING AND ADHERENCE UNDER PLASTER**
BY PERFORATED MOUNTING BRACKETS

- **DOUBLE PROTECTION AGAINST WATER**
DUE TO DOUBLE SLIDING OF THE SEALING INSERT WITHIN THE METAL PROFILES

- **PROFILE ABSORBS LARGE MOVEMENTS**
WITH FOLD INSERT

- **PROFILE ABSORBS SETTLEMENTS**
BY SLIDING OF INSERT WITHIN THE METAL PROFILE



TECHNICAL DATA

MATERIAL

Aluminium side plates with perforated mounting brackets
 Flexible high quality elastomeric insert for interior and exterior use (weather resistant).

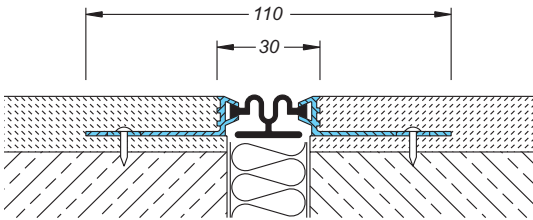
Production length: 4 m, Standard colour: grey

Profile types D 12/300, DE 12/400, D 15/300, DE 15/400, D 20/300 and DE 20/400 can also be supplied with a beige insert

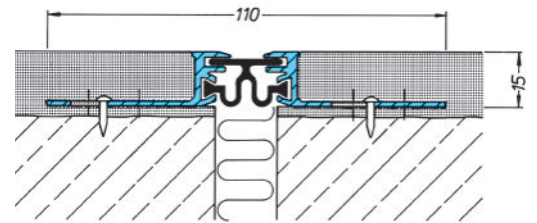
If longer lengths than 4 m are required, exact details of total joint lengths must be stated
 The fold insert is then supplied in one piece up to approx. 50 m for the complete joint.

Fold insert: up to 50 m length

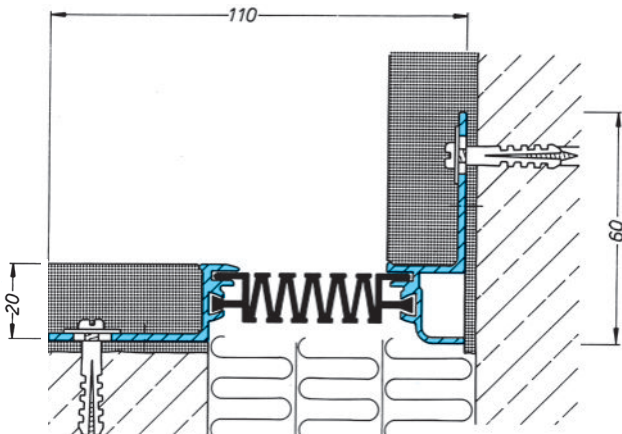
Installation instructions: page 45



D 12/300



D 15/300



DE 20/600

Scale 1 : 2



Insert of profile
 D 12/500 and DE 12/600
 D 15/500 and DE 15/600
 D 20/500 and DE 20/600



Insert of profile
 D 12/700 and DE 12/800
 D 15/700 and DE 15/800
 D 20/700 and DE 20/800



Insert of profile
 D 12/900 and DE 12/1100
 D 15/900 and DE 15/1100
 D 20/900 and DE 20/1100



Insert of profile
 D 12/1300 and DE 12/1500
 D 15/1300 and DE 15/1500
 D 20/1300 and DE 20/1500

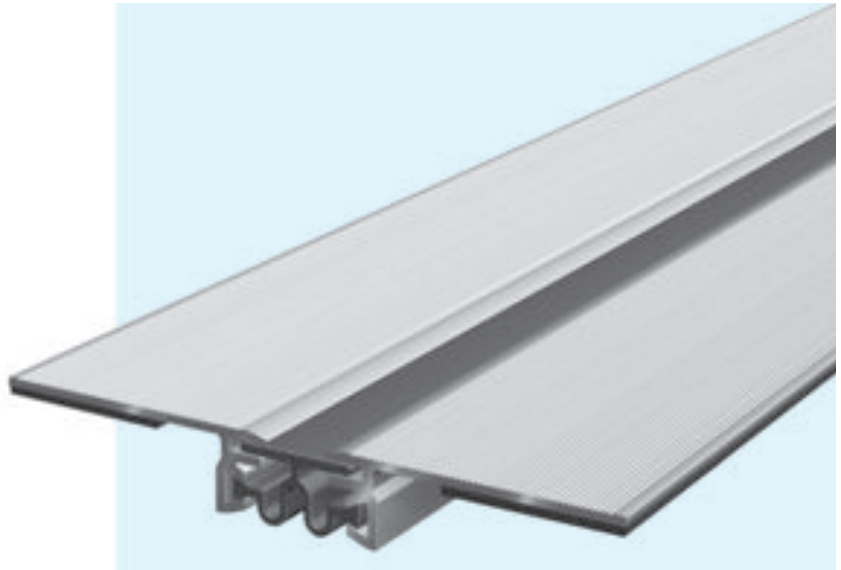
MIGUA

SERIES FA 25/...

FOR COVERING JOINTS IN WALLS, CEILINGS AND FACADES – SURFACE FIXING

MIGUA

- **DOUBLE PROTECTION AGAINST WATER**
DUE TO DOUBLE SLIDING OF THE SEALING INSERT WITHIN THE METAL PROFILES
- **PROFILE ABSORBS LARGE MOVEMENTS**
WITH FOLD INSERT
- **PROFILE ABSORBS SETTLEMENTS**
BY SLIDING OF INSERT WITHIN THE METAL PROFILE
- **CELLULAR RUBBER SEALING STRIPS**
TO COMPENSATE FOR UNEVENNESS IN THE BUILDING SURFACE



TECHNICAL DATA

Profile FOR STRAIGHT JOINTS	Joint width min. mm	Total movement mm	Total width of profile mm	Installation depth mm
FA 25/ 300	30	10 +/- 5	111	12
FA 25/ 500	75	40 +/- 20	157	12
FA 25/ 700	100	50 +/- 25	182	12
FA 25/ 900	150	100 +/- 50	232	12
FA 25/1300	200	120 +/- 60	282	12
FA 25/1400	250	180 +/- 90	332	12
FA 25/1800	350	200 +/-100	432	12

MATERIAL

Aluminium side plates with flexible high quality elastomeric insert for interior and exterior use (weather resistant)
Aluminium side plates with cellular rubber sealing strips.

Production length: 4 m, Standard colour: grey

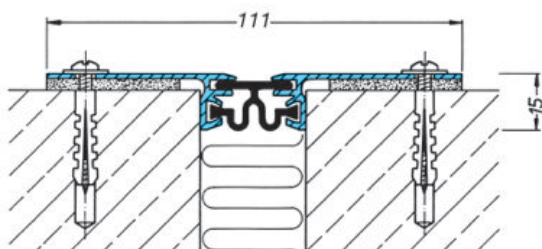
Profile type FA 25/300 can also be supplied with a beige insert.

If longer lengths than 4 m are required, exact details of total joint lengths must be stated

The fold insert is then supplied in one piece up to approx. 50 m for the complete joint

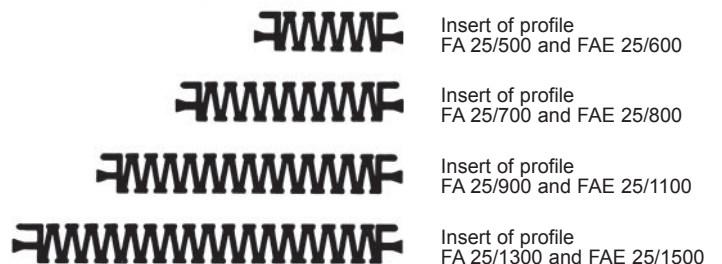
Installation instructions: page 45

The profiles can also be supplied with holes for fixing with screws (distance 300 mm each).



FA 25/300

Scale 1 : 2

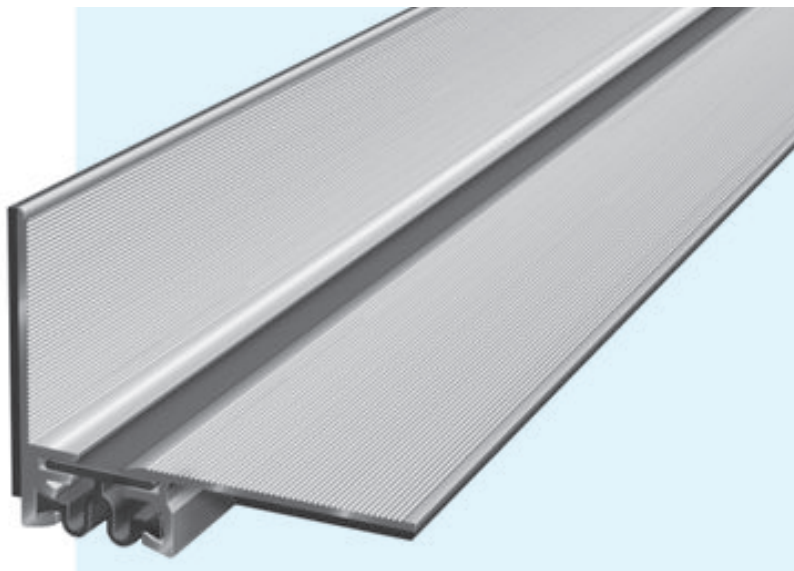


SERIES FAE 25/...

FOR COVERING JOINTS IN WALLS, CEILINGS AND FACADES – SURFACE FIXING

MIGUA

- **DOUBLE PROTECTION AGAINST WATER**
DUE TO DOUBLE SLIDING OF THE SEALING INSERT WITHIN THE METAL PROFILES
- **PROFILE ABSORBS LARGE MOVEMENTS**
WITH FOLD INSERT
- **PROFILE ABSORBS SETTLEMENTS**
BY SLIDING OF INSERT WITHIN THE METAL PROFILE
- **CELLULAR RUBBER SEALING STRIPS**
TO COMPENSATE FOR UNEVENNESS IN THE BUILDING SURFACE



TECHNICAL DATA

Profile FOR CORNER JOINTS	Joint width min. mm	Total movement mm	Total width of profile mm	Installation depth mm
FAE 25/ 400	30	10 +/- 5	69	12
FAE 25/ 600	75	40 +/- 20	114	12
FAE 25/ 800	100	50 +/- 25	139	12
FAE 25/1100	150	100 +/- 50	189	12
FAE 25/1500	200	120 +/- 60	239	12
FAE 25/1600	250	180 +/- 90	289	12
FAE 25/2200	350	200 +/-100	389	12

MATERIAL

Aluminium side plates with flexible high quality elastomeric insert for interior and exterior use (weather resistant)
Aluminium side plates with cellular rubber sealing strips.

Production length: 4 m, Standard colour: grey

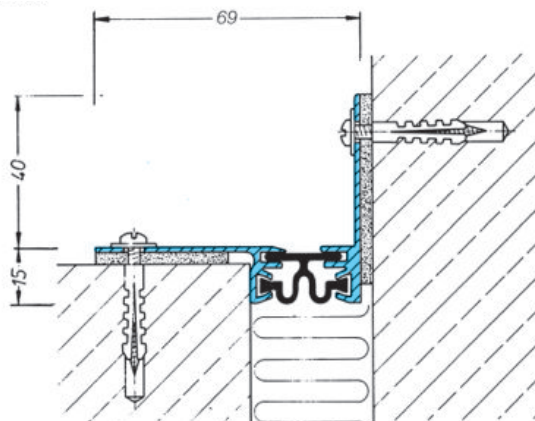
Profile type FAE 25/400 can also be supplied with a beige insert.

If longer lengths than 4 m are required, exact details of total joint lengths must be stated

The fold insert is then supplied in one piece up to approx. 50 m for the complete joint

Installation instructions: page 45

The profiles can also be supplied with holes for fixing with screws (distance 300 mm each).



FAE 25/400

Scale 1 : 2



SERIES FA 12/...

FOR COVERING JOINTS IN WALLS, CEILINGS AND FACADES – SURFACE FIXING

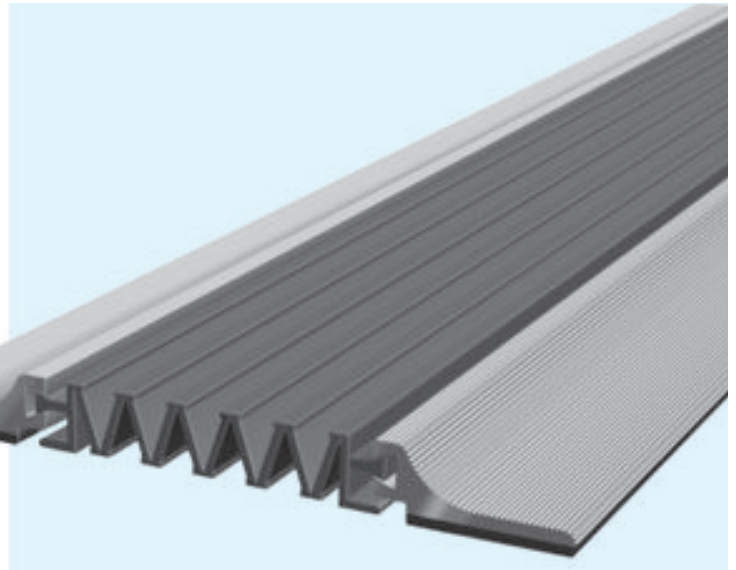
MIGUA

■ **PROFILE ABSORBS LARGE MOVEMENTS WITH FOLD INSERT**

■ **PROFILE ABSORBS SETTLEMENTS BY SLIDING OF INSERT WITHIN THE METAL PROFILE**

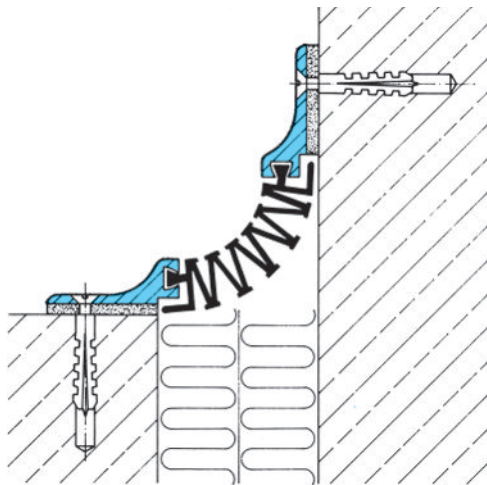
■ **CELLULAR RUBBER SEALING STRIPS TO COMPENSATE FOR UNEVENNESS IN THE BUILDING SURFACE**

■ **CAN ALSO BE USED AS CORNER VERSION SEE DRAWINGS**



TECHNICAL DATA

Profile	Joint width max. mm	Total movement mm	Total width of profile mm	Profile height mm
FA 12/ 500	75	40 +/- 20	132	12
FA 12/ 700	100	50 +/- 25	157	12
FA 12/ 900	150	100 +/- 50	207	12
FA 12/1300	200	120 +/- 60	257	12
FA 12/1400	250	180 +/- 90	307	12
FA 12/1800	350	200 +/-100	407	12



MATERIAL

Aluminium side plates with flexible high quality elastomeric insert for interior and exterior use (weather resistant)

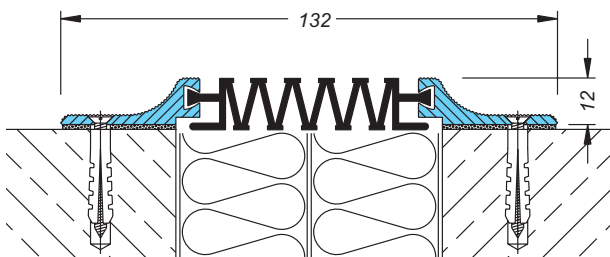
Aluminium side plates with cellular rubber sealing strips

Production length: 4 m
Standard colour: grey
Fold insert: up to 50 m length

Installation instructions: page 45

If longer lengths than 4 m are required, exact details of total joint lengths must be stated. The fold insert is then supplied in one piece up to approx. 50 m for the complete joint.

The profiles can also be supplied with countersunk holes for fixing with screws (distance 300 mm each).



FA 12/500

Scale 1 : 2



Insert of profile FA 12/500

Insert of profile FA 12/700

Insert of profile FA 12/900

Insert of profile FA 12/1300

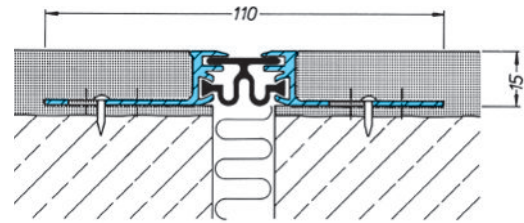
INSTALLATION INSTRUCTIONS

SERIES D 12/..., D 15/..., D 20/..., FA 25/..., FA 12/...

MIGUA

SERIES D 12/..., D 15/..., D 20/...

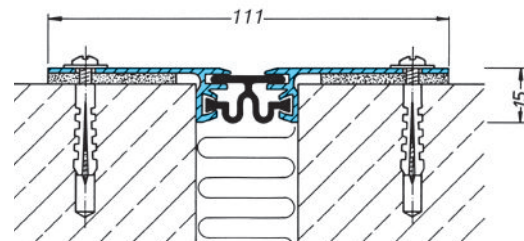
The part of the profile remaining visible after installation is protected from dirt during transport and plastering by an adhesive strip. The perforated side plates are fixed to the substrate with non-rusting steel nails. Before the aluminium side plates are fixed, a 70 mm wide strip of mortar must be applied on both sides of the joint. The profiles are designed for a thickness of plasterwork of 12 mm, 15 mm or 20 mm. If thicker plaster skins are required, compensation must be made for this in the initial mortar layer placed under the side plates. The profile must be fixed rigidly to the substrate and must on no account be allowed to have free movement, otherwise cracks in the plaster will occur. Fixings must be made as far as possible from the edge of the joint to prevent spalling of the wall.



D 15/300

SERIES FA 25/...

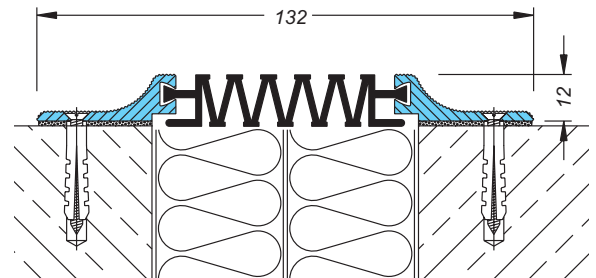
The surfaces on which the profile will be placed adjoining the joint must be smooth and free from contamination. The protruding part of the profile will be placed in the joint, so that the side plates provided with cellular rubber strips lie firmly on the base. Then profiles are aligned and fixed by screws and dowels. If joints on the inside of the building are to be covered, it is sufficient to glue the profiles in place with a contact adhesive. For this, the wall surfaces, however, are to be absolutely smooth and free from contamination and paint. Always leave a gap of approx. 5 mm at the butt joints of the aluminium profiles in case of exterior use. After installation a permanently flexible sealing compound should be applied to these gaps.



FA 25/300

SERIES FA 12/...

The surfaces on which the profile will be placed adjoining the joint must be smooth and free from contamination. Then profiles are aligned and fixed by screws and plugs. If joints on the inside of the building are to be covered, it is sufficient to glue the profiles in place with a contact adhesive. For this, the wall surfaces, however, are to be absolutely smooth and free from contamination and paint. Always leave a gap of approx. 5 mm at the butt joints of the aluminium profiles in case of exterior use. After installation a permanently flexible sealing compound should be applied to these gaps.



FA 12/500

Scale 1 : 2

Please remember when installing the profiles with fold insert:

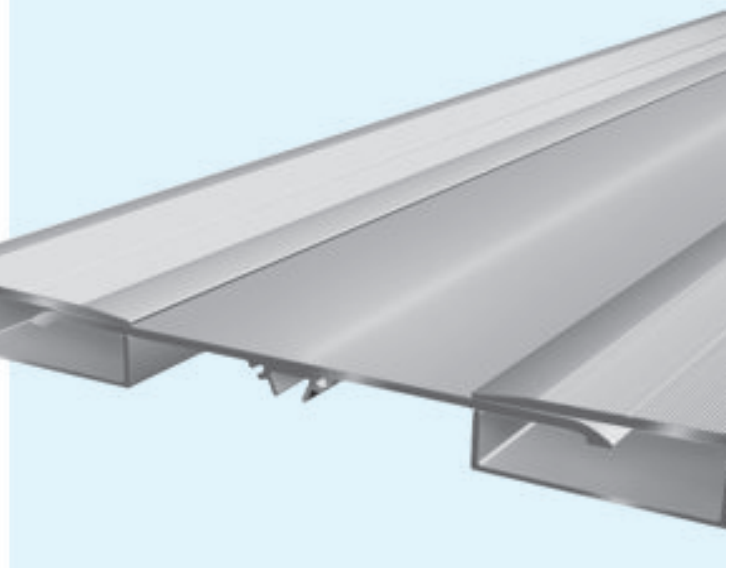
1. The insert must be installed in slight tension in width to ensure that the ribs in the insert retain their straightness.
2. Fold inserts must always be installed in one continuous length (not butt- or lap-jointed).
3. Always start installation at the top of the joint. To avoid slipping, the insert must be fixed on the top by pinching the aluminium groove with a pair of pliers, chisel, hammer or similar. Before installation is started, the first 1 – 2 metres of insert must be pinched at intervals of approx. 100 mm on both sides. Then further aluminium profiles are pushed from below and fixed with screws.

SERIES WP 255/22

ALL-METAL PROFILE FOR WALLS AND CEILINGS

MIGUA

- PROFILE ABSORBS LARGE MOVEMENTS
- INVISIBLE FIXING
- QUICK AND EASY INSTALLATION DUE TO SNAP-IN-COVER
- VANDAL-PROOF



TECHNICAL DATA

Profile	Joint width max. mm	Total movement mm	Visible width of profile mm	Total width of profile mm	Installation height mm
WP 255/22	110	100 +/-50	255	255	22
WP 255/22 E2 (corner version)	205	100 +/-50	255	277	22

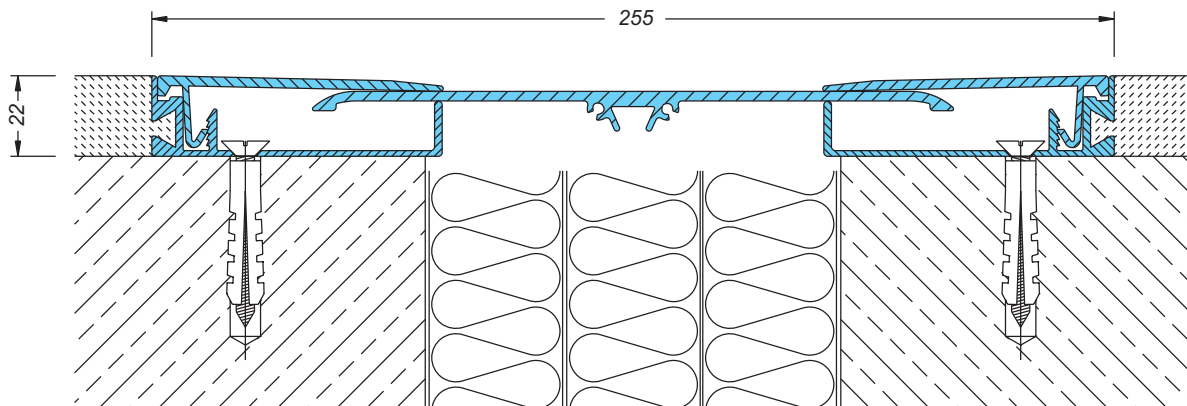
MATERIAL

Aluminium cover profiles with striated top surface

Production length: 3 m

Colour: aluminium

The profile can be supplied for other joint width on request. Details on request.

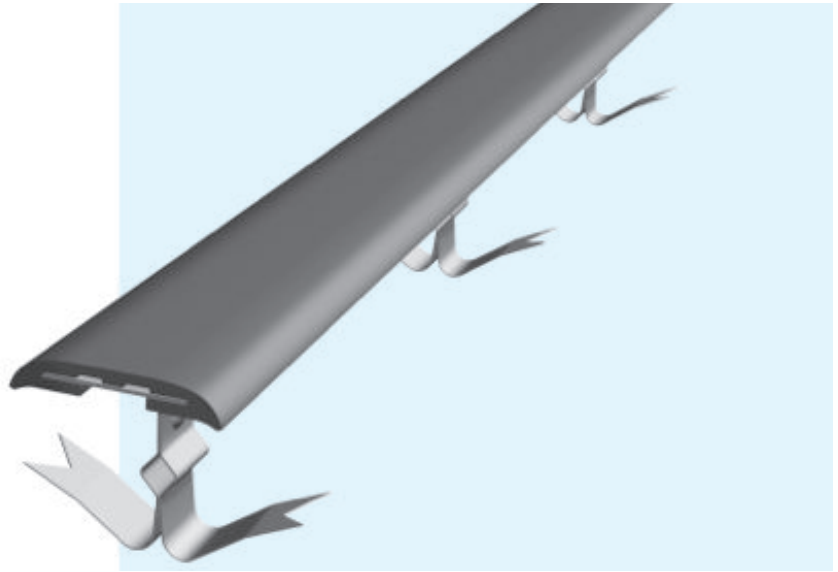


SERIES KF KLEMM-FIX

FOR COVERING JOINTS IN WALLS, CEILINGS AND FACADES – SURFACE FIXING

MIGUA

- QUICK AND EASY INSTALLATION
- ANCHORING BY SPECIAL STEEL SPRING CLIPS
- PERFECT OPTICAL APPEARANCE AND STRAIGHTNESS BY CONTINUOUS STEEL INSERT
- SECURE AND PERMANENT FIXING BY CLOSE SPACING OF CLIPS 20 CM EACH



TECHNICAL DATA

Profile	Joint width mm	Width of cover mm	*Depth of Joint min. mm	Standard colour
KF 55/1530	15-35	50	40	grey
KFE 55/1531	20-35	47	40	grey
KF 55/3560	35-60 (15-35)	75	50	grey
KFE 55/3561	40-60	73	50	grey

* see detail below in case of long clip K2

MATERIAL

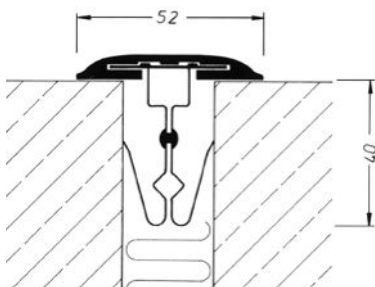
Flexible high quality elastomeric cover, long wearing, weather resistant, temperature resistant (-30°C to +120°C), extensively resistant to oils, acids and bitumen, with steel insert and stainless steel spring clips (5 spring clips will be supplied per running meter)

Production length: 20 m

Profiles of series KF 55/1530 and KFE 55/1531 will be normally supplied with the short standard clip **K1**

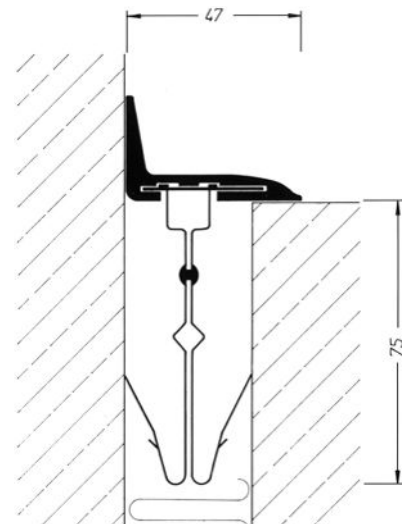
Profiles can also be supplied with longer clip **K2**, if desired (at extra charge)

The profile KF 55/3560 can be supplied with the clips K1 or K2 of profile KF 55/1530 for joint width 15 - 35 mm on request. Exact details must be stated.



KF 55/1530 with standard clip K1

Scale 1 : 2



KFE 55/1531 with special clip K2

SERIES KF 250/..., KFE 250/... KLEMM-FIX

FOR COVERING JOINTS IN WALLS, CEILING AND FACADES – SURFACE FIXING

MIGUA

■ QUICK AND EASY INSTALLATION

■ PERMANENTLY ANCHORING
BY SPECIAL STEEL SPRING CLIPS

■ VERY LONG DURABILITY
BY USING STAINLESS STEEL SPRING CLIPS



TECHNICAL DATA

Profile	Joint width mm	Width of cover mm	Depth of joint min. mm	Material	Standard colours
KF 250/ 30	15-35	50	40	Aluminium	aluminium (natural)
KFE 250/ 31	15-35	40	40	Aluminium	aluminium (natural)
KF 250/ 70*	15-35	70	40	Aluminium	aluminium (natural)
KFE 250/ 71	15-35	50	40	Aluminium	aluminium (natural)
KF 250/100*	15-35	100	40	Aluminium	aluminium (natural)
KFE 250/101**	35-60	75	70	Aluminium	aluminium (natural)
KF 250/150**	35-80	150	70	Aluminium	aluminium (natural)
KF 250/170**	35-80	170	70	Aluminium	aluminium (natural)

*Special clips for joint width 35 - 80 mm (Joint depth min. 70 mm) are available on request.

**Profiles are only available with special clips.

MATERIAL

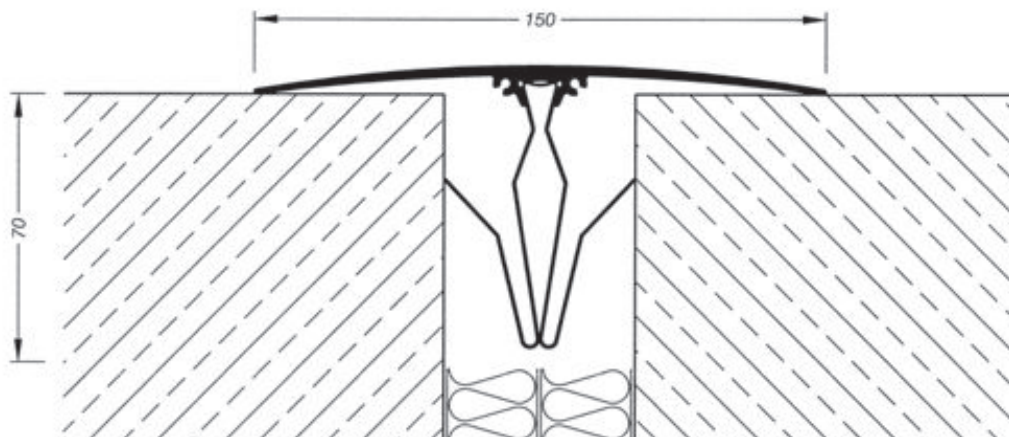
Aluminium cover profile with stainless steel spring clips

Production length: 3 m

4 spring clips will be supplied per length of 3 m, 6 spring clips are provided for KF 250/100 and KF 250/150,

8 spring clips are provided for KF 250/170

The aluminium profiles can be anodized in our works on request for important orders



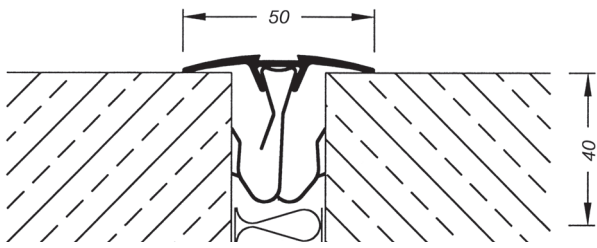
KF 250/150 with special clip

Scale 1 : 2

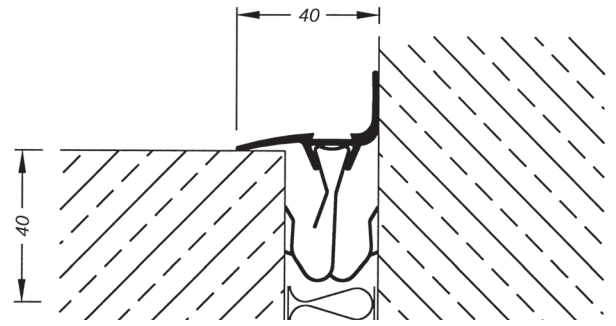
MIGUA

SERIES KF 250/..., KFE 250/... KLEMM-FIX
 FOR COVERING JOINTS IN WALLS, CEILINGS AND FACADES – SURFACE FIXING

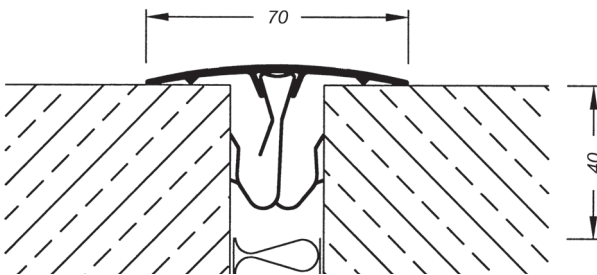
MIGUA



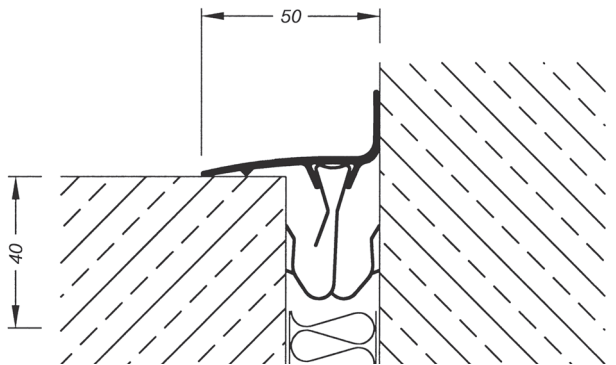
KF 250/30



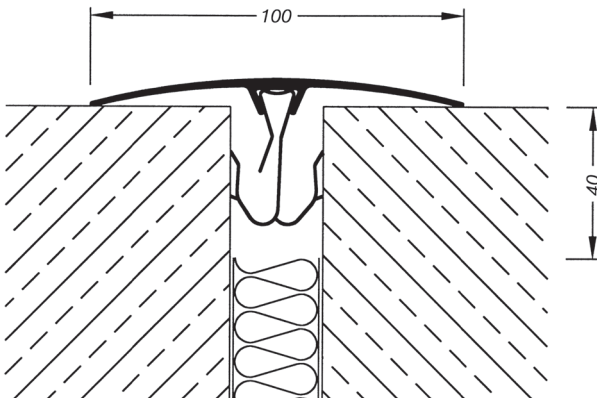
KFE 250/31



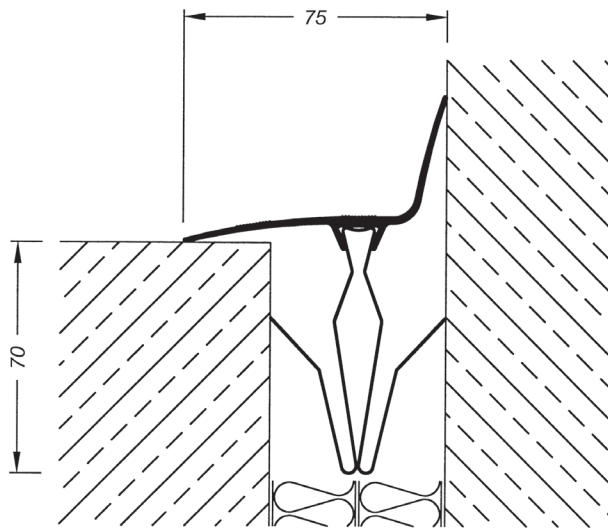
KF 250/70



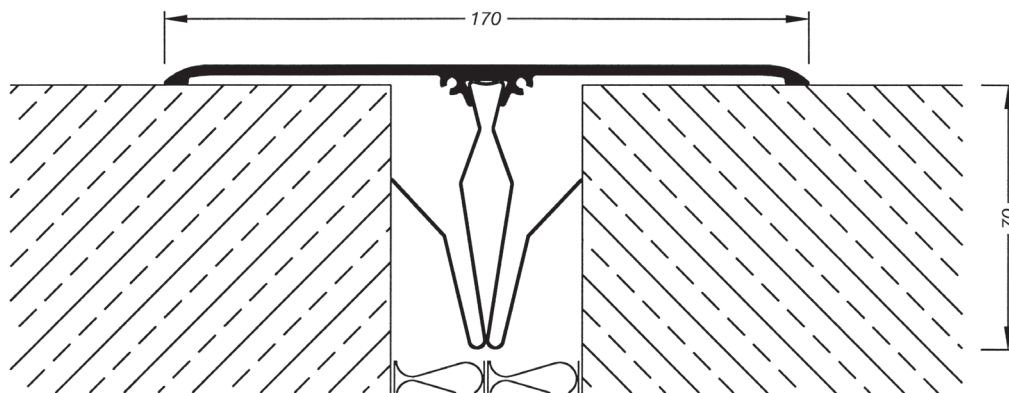
KFE 250/71



KF 250/100



KFE 250/101 with special clip



KF 250/170 with special clip

Scale 1 : 2

MIGUA

SERIES DF 35/12, DF 50/12

FOR JOINTS IN WALLS OF SANDWICH TYPE PLASTERBOARD

MIGUA

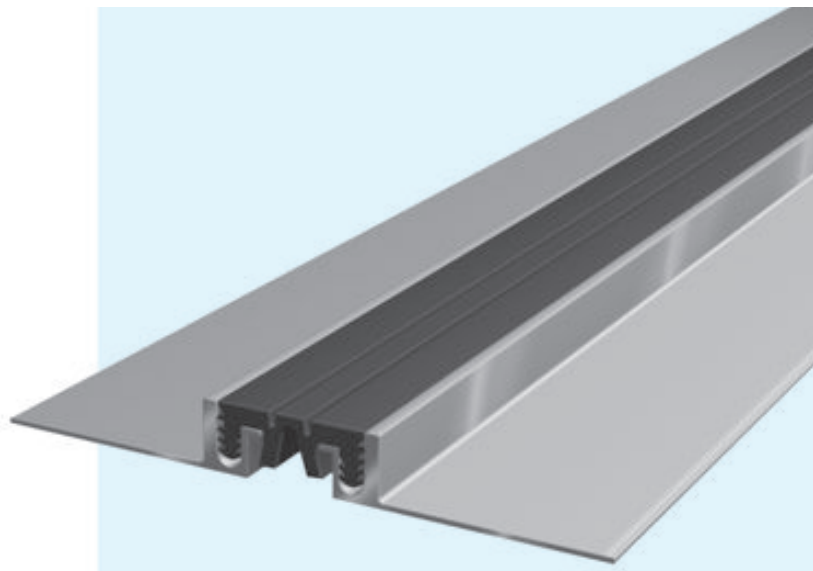
■ **FLEXIBLE HIGH QUALITY ELASTOMERIC INSERT REPLACEABLE AT ANY TIME**

■ **SAME APPEARANCE OF JOINTS IN FLOORS AND WALLS**

AS THE SAME TYPE OF INSERT USED FOR BOTH APPLICATIONS
BY USING SYNCA INSERTS OF SERIES FV 35/... respectively FP 55/...

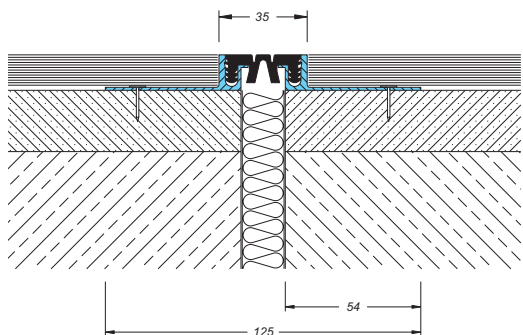
■ **EASY INSTALLATION**

BY MEANS OF NAILS OR SCREWS

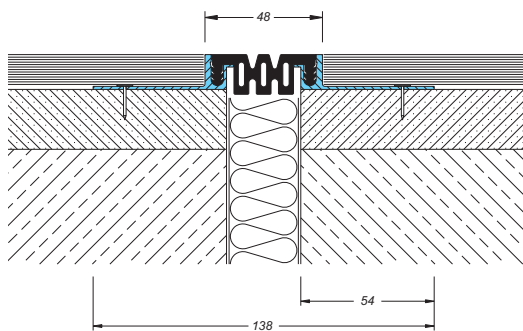


TECHNICAL DATA

Profile	Joint width max. mm	Total movement mm	Visible width of profile mm	Total width of profile mm	Installation height mm	Example for application
DF 35/12	30	10 +/-5	35	125	14	for installation under sandwich type plaster board of 12,5 mm thickness
DF 50/12	50	16 +/-8	48	138	14	



DF 35/12



DF 50/12

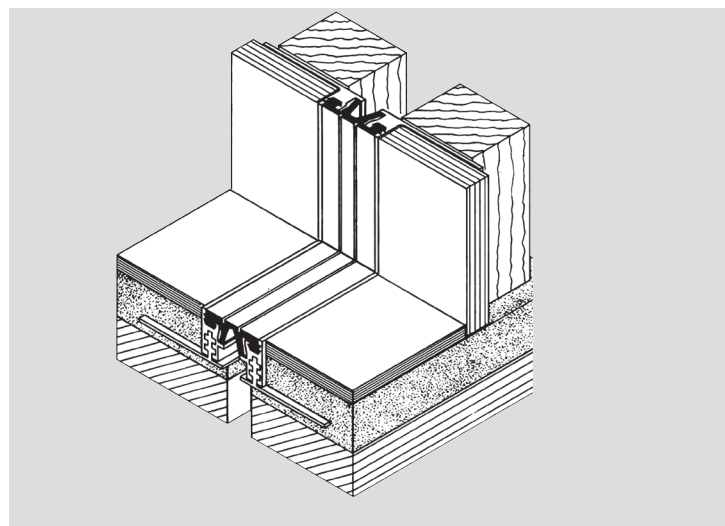
MATERIAL

Aluminium side plates with flexible high quality elastomeric insert, long wearing, weather resistant, temperature resistant (-30°C to +120°C), extensively resistant to oils, acids and bitumen.

Production length: 3 m, Standard colours: black, grey, light beige
Profile DF 35/12 additionally brown

These profiles are also available as corner versions (see page 36–37)

The profiles are also available with **smooth** insert;
DFG 35/12, total movement 6 mm +/- 3 mm respectively
DFG 50/12, total movement 8 mm +/- 4 mm.



Scale 1 : 3

MIGUA

SERIES FB 20/...

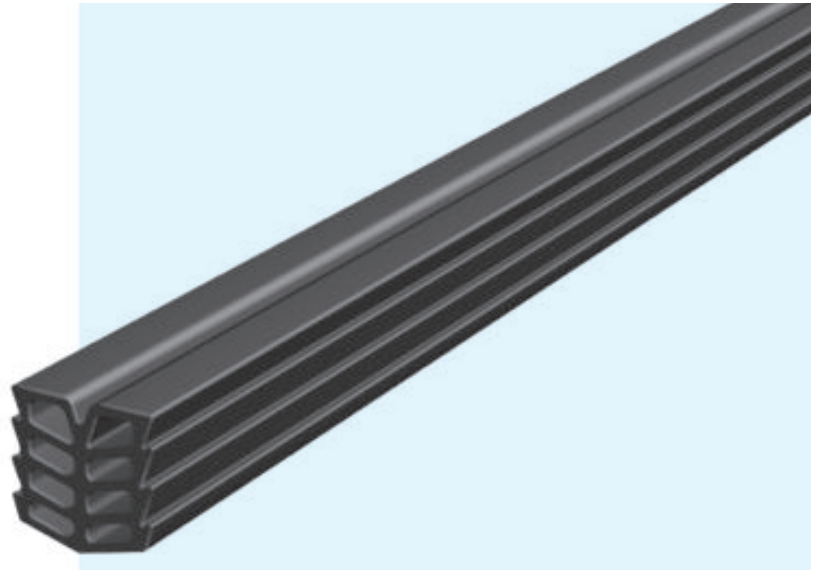
FOR PRECAST CONSTRUCTION AND FAIR FACED IN-SITU CONCRETE

MIGUA

■ **SECURE FIXING AND GOOD WATERTIGHTNESS**
BY PERMANENT ELASTICITY AND SPECIAL DESIGN OF THE SITE BARBS

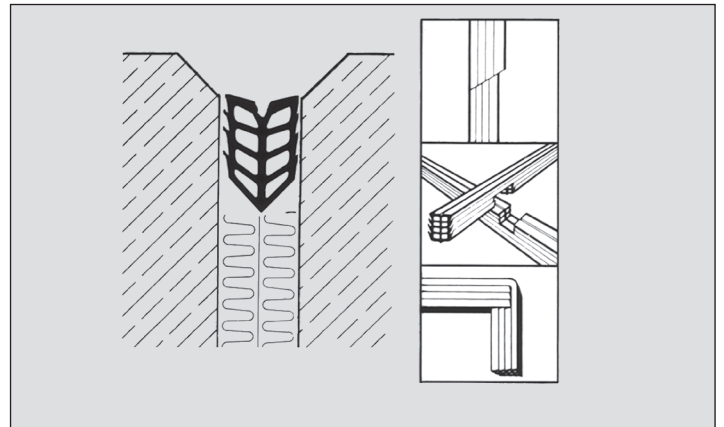
■ **VERY GOOD SOUND AND THERMAL INSULATION**
BY SPECIAL CELLULAR DESIGN OF THE PROFILES

■ **INTERSECTIONS EASILY POSSIBLE**



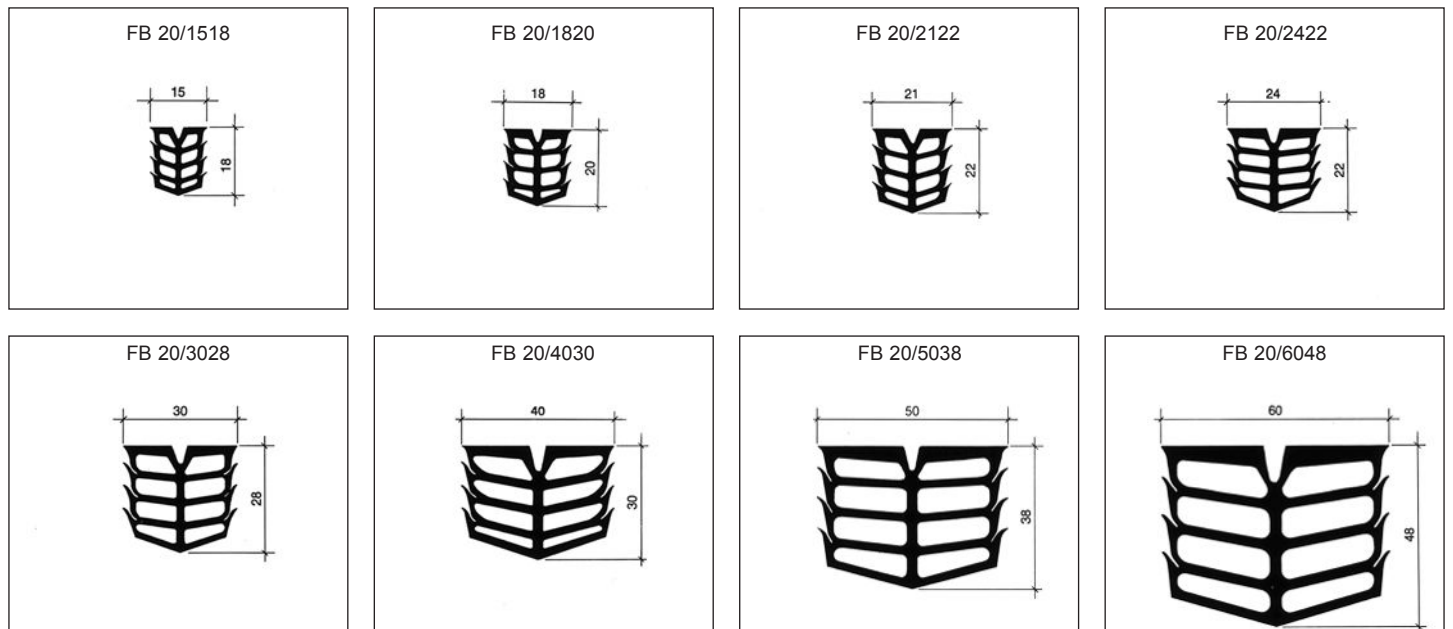
TECHNICAL DATA

Profile	Nominal joint width mm	Depth of joint min. mm	Total movement mm
FB 20/1518	10	25	6
FB 20/1820	12	25	6
FB 20/2122	15	30	7
FB 20/2422	18	30	7
FB 20/3028	20	35	12
FB 20/4030	28	45	14
FB 20/5038	35	55	20
FB 20/6048	45	65	20



MATERIAL

SYNCA-Rubber, long wearing, weather resistant, temperature resistant (-30°C to +120°C), extensively resistant to oils, acids and bitumen. Production length: 20 m, standard colours: black, grey



Scale 1 : 2

MIGUA

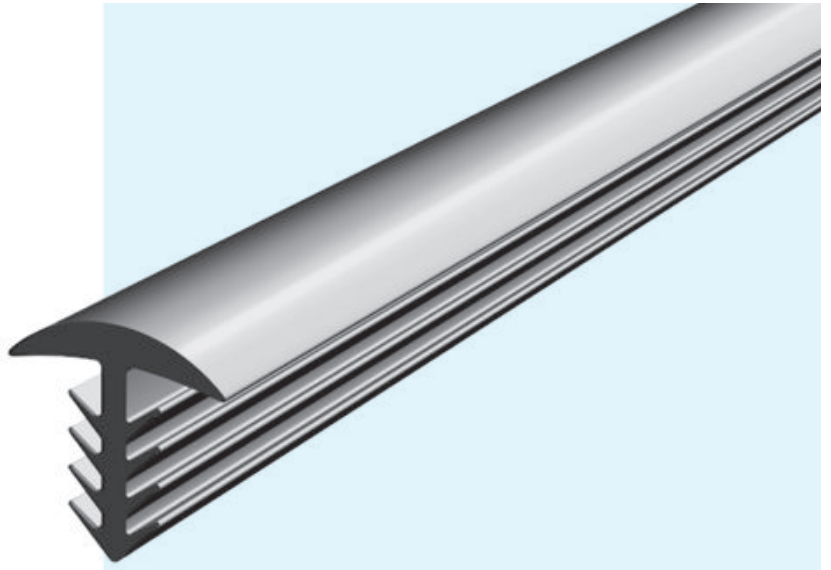
SPECIAL PROFILES

OUTSIDE THE STANDARD PROGRAM (NOT SUITABLE FOR EXPANSION JOINTS)

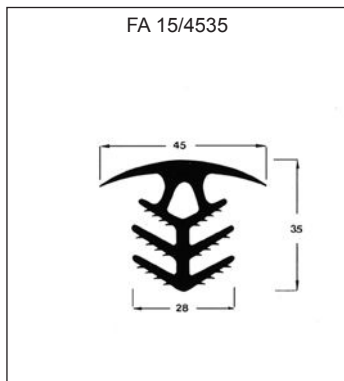
MIGUA

FOR SPECIAL CASES

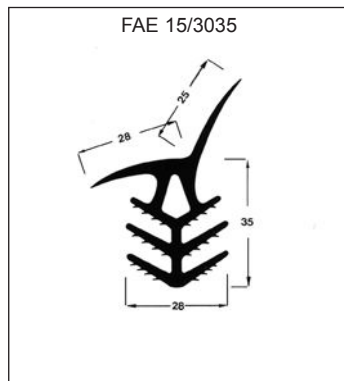
PLEASE ALWAYS TEST THE USABILITY
BY MAKING A TEST INSTALLATION



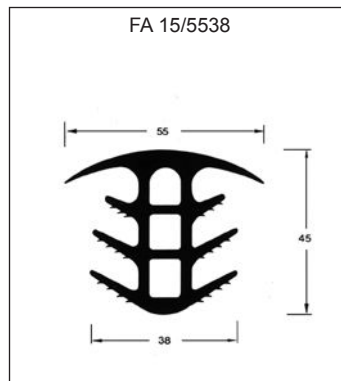
TECHNICAL DATA



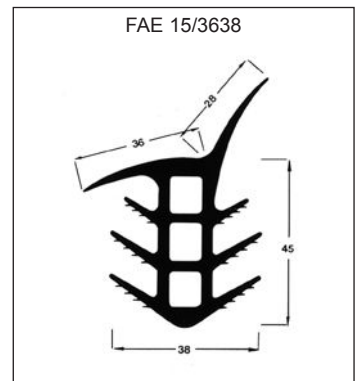
Material: MIGUFLEX
Joint width: 20 mm
Production length: 4 m
Colour: grey



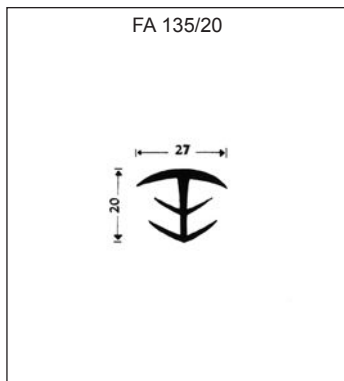
Material: MIGUFLEX
for corner joints, width: 20 mm
Production length: 4 m
Colour: grey



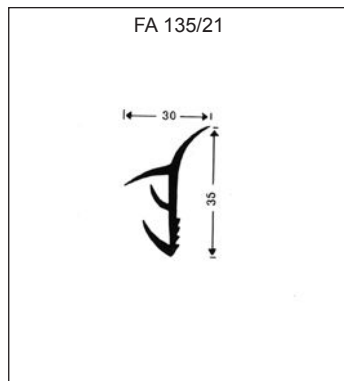
Material: MIGUFLEX
Joint width: 25 mm
Production length: 4 m
Colour: grey



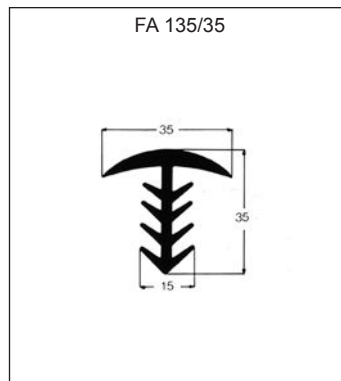
Material: MIGUFLEX
for corner joints, width: 25 mm
Production length: 4 m
Colour: grey



Material: Modified PVC
Joint width: 8 mm
Production length: 4 m
Colour: grey



Material: Modified PVC
for corner joints, width: 8 mm
Production length: 4 m
Colour: grey



Material: Modified PVC
Joint width: 10 mm
Production length: 4 m
Colour: grey

**These profiles must be
glued in the joint
to perform.**

Further special profiles on
request.

Scale 1 : 2

MIGUA



MIGUA
EXPANSION JOINT SYSTEMS

MIGUTRANS
HEAVY DUTY EXPANSION JOINT SYSTEMS

MIGUTAN
WATERTIGHT EXPANSION JOINT SYSTEMS

MIGUPREN
WATERTIGHT CORRUGATED JOINT SYSTEMS FOR FLAT ROOFS

MIGUNOX
SOLID STAINLESS STEEL / STEEL HEAVY DUTY SYSTEMS



WORLDWIDE

More than 10 million metres of our profiles have been performing for decades to the complete satisfaction of Architects, Builders and Owners.

Our selected Representatives and Partners all over the world
– backed by our Export and Engineering Departments in Germany –
give best advice and solutions for standard, special and unique situations.

MIGUA – over 50 years experience in manufacture and supply of expansion joint systems –
regarded as market leaders throughout Europe.

Please contact us to discuss your requirements and to obtain samples for evaluation.

MIGUA FUGENSYSTEME GMBH & CO. KG
P.O.Box 1260, D-42479 Wuelfrath
Dieselstrasse 20, D-42489 Wuelfrath
Phone +49 (0)20 58 / 774-0, Fax +49 (0)20 58 / 774-48
e-Mail info@migua.de, Internet www.migua.com